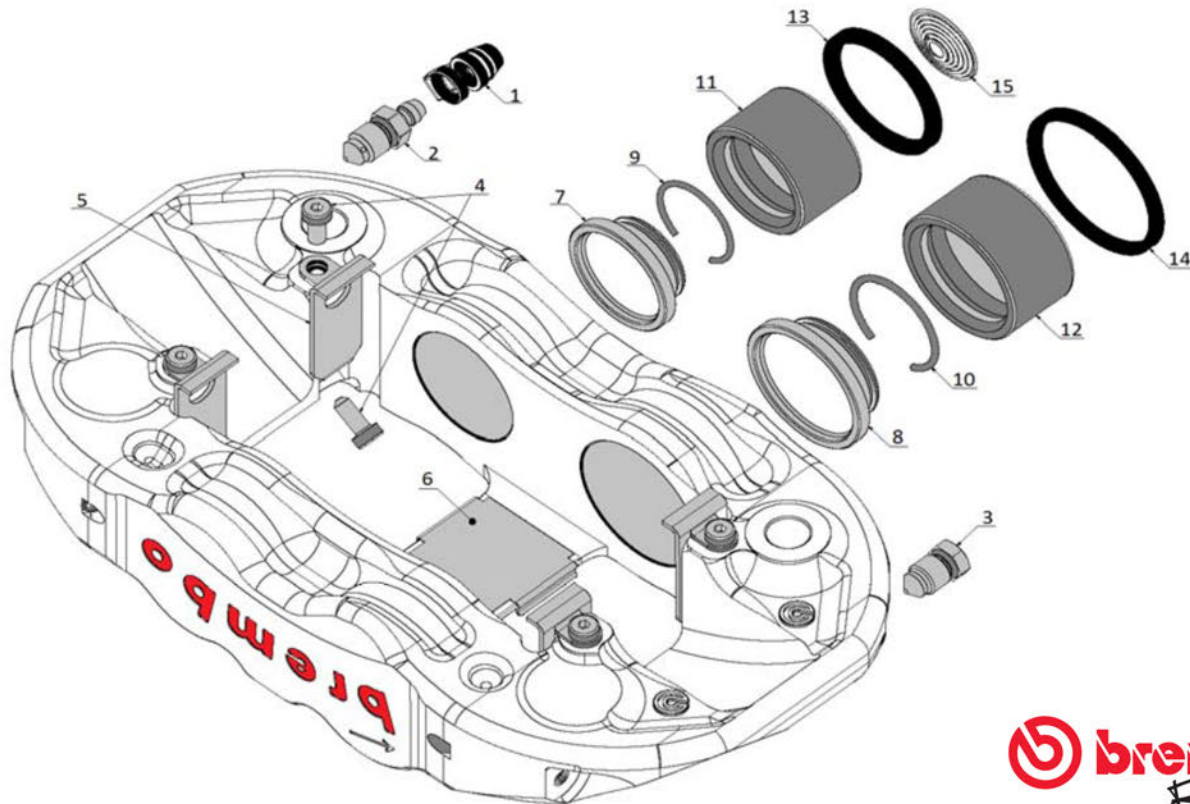
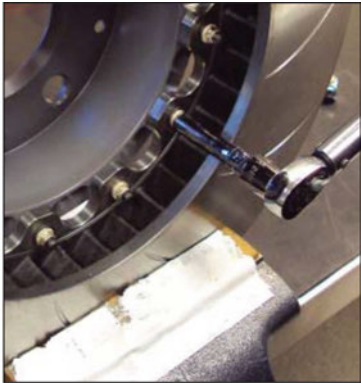


Caliper XA5 T0-01/02/03/04

Caliper Weight lbs	5.87	Disc Thickness mm	28-30-32	Bracket Studs	80.080C
Pistons number	4	Disc Diameter mm	300-355	Leading / Tailing	01/02 03/04
Piston Diameters mm	38,44	Pad Shape Brembo #	2022	Caliper Body	Monobloc
Piston Area sq.cm	53.09	Pad Area sq.cm	60.9	Caliper Material	Aluminium
Fluid Capacity cc	95.56	Max Pad Thickness mm	23	Series	Short Coarse P2 , P4



Item	Description	Part Number	Qty
1	Bleed Screw Cap	05150220	1
2	Bleed Screw	05281213	1
3	Plug	6371016	1
4	Abutment Plate Screw	A11244101	8
5	Abutment Plate	20451745	4
6	Bridge Plate	20726880	1
7	38mm Radiator	20852727	2
8	44mm Radiator	20852730	2
9	Retaining Clip for 38mm	05209135	2
10	10 Retaining Clip for 44mm	05209138	2
11	38mm Piston	20865057	2
12	44mm Piston	20865060	2
13	38mm Seal	05722445	2
14	44mm Seal	05722448	2
15	Knockback Spring	05436073	4



Caliper Components

Part	Description	Apply on Threads	Torque Specification
05.2812.33	Caliper Bleed Screw	Room Temp	124 to 140 inch lbs
All	Cross over tubes	N/A	160 to 175 inch lbs
All	Caliper Inlet Fittings	N/A	216 to 230 inch lbs
80.026AB	E5 & A4 Caliper Half Bolts	Anti Seize	24 ft lbs
MS-7	Front Caliper Jet Nuts	Anti Seize	35 ft lbs
MS-6	Rear Caliper Jet Nuts	Anti Seize	25 ft lbs
4mm	Abutment Plate Screws	Blue Loctite	35 to 44 inch lbs
5mm	Abutment Plate Screws	Blue Loctite	62 to 70 inch lbs
6mm	Abutment Plate Screws	Blue Loctite	80 to 88 inch lbs

Rotor & Bell Assemblies

Part	Description	Apply on Threads	Torque Specification
HM41-060	T- Bobbin Jet Nut	Blue Loctite	90 to 105 inch lbs
All	STD Round Bush Screws	Blue Loctite	62 to 70 inch lbs
XA5.K0.51	Tooth Rotor Screw sm	Red Loctite	35 inch lbs
05.8774.07	Tooth Rotor Screw lg	Red Loctite	62 inch lbs

