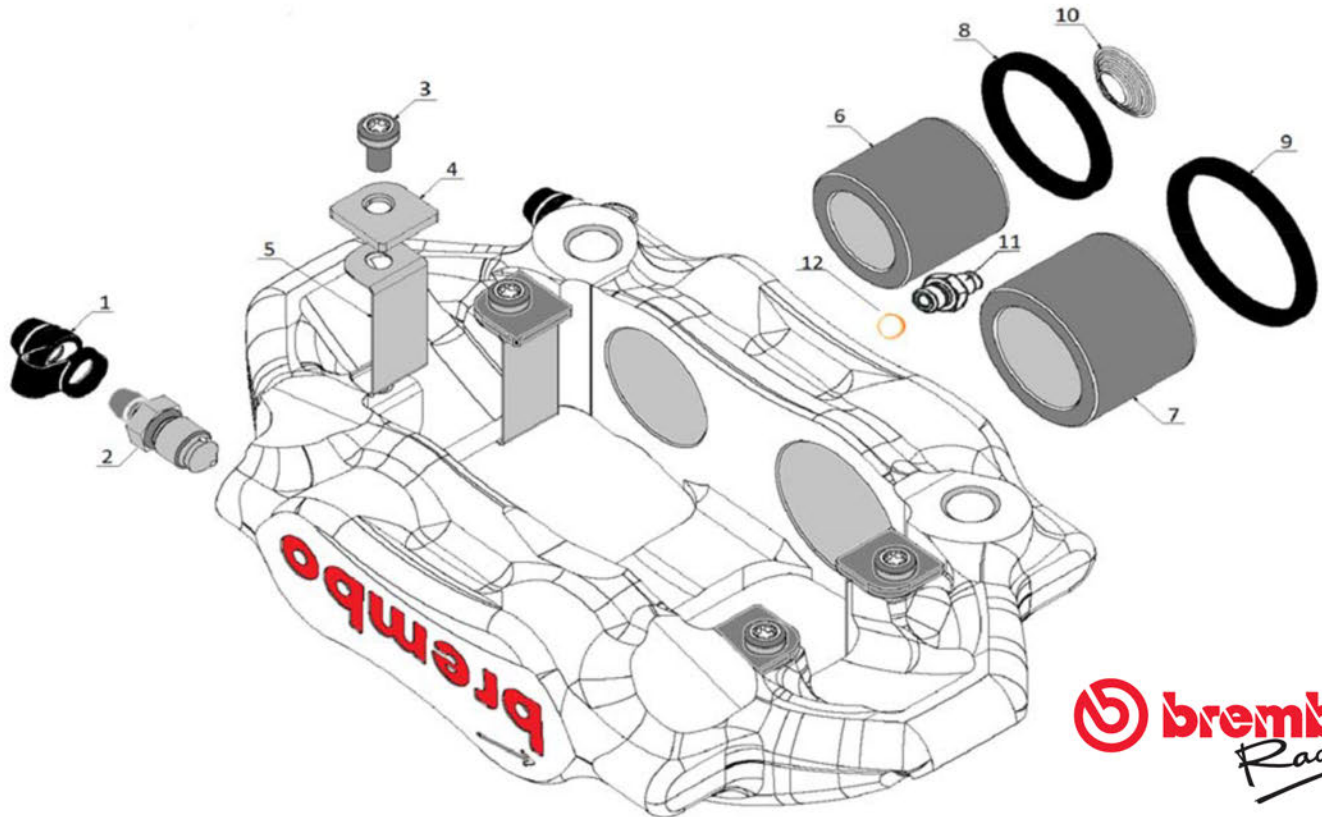
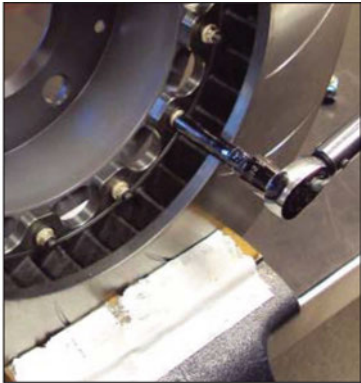


Caliper XA9 K6 01/02/03/04

Caliper Weight lbs	2.60	Disc Thickness mm	18	Bracket Studs	80.087
Pistons number	4	Disc Diameter mm	278	Leading / Trailing	601-02 / 603-04
Piston Diameters mm	30,36	Pad Shape Brembo #	8049 (was 605)	Caliper Body	Monobloc
Piston Area sq.cm	34.49	Pad Area sq.cm	36.3	Caliper Material	Aluminum
Fluid Capacity cc	43	Max Pad Thickness mm	16	Series	Pro-light / Buggy



Item	Description	Part Number	Qty
1	Bleed Screw Cap	05150220	2
2	Bleed Screw	05281213	2
3	Abutment Plate Screw	05582917	4
4	Pad Support	20726929	4
5	Abutment Plate	20726836	4
6	30 mm Piston	20570153	2
7	36 mm Piston	20570156	2
8	30 mm Seal	05722441	2
9	36 mm Seal	05722444	2
10	Knock Back Spring	05436042	4
11	Inlet Connector	06371020	1
12	Copper Seal	06219613	1



Caliper Components

Part	Description	Apply on Threads	Torque Specification
05.2812.33	Caliper Bleed Screw	Room Temp	124 to 140 inch lbs
All	Cross over tubes	N/A	160 to 175 inch lbs
All	Caliper Inlet Fittings	N/A	216 to 230 inch lbs
80.026AB	E5 & A4 Caliper Half Bolts	Anti Seize	24 ft lbs
MS-7	Front Caliper Jet Nuts	Anti Seize	35 ft lbs
MS-6	Rear Caliper Jet Nuts	Anti Seize	25 ft lbs
4mm	Abutment Plate Screws	Blue Loctite	35 to 44 inch lbs
5mm	Abutment Plate Screws	Blue Loctite	62 to 70 inch lbs
6mm	Abutment Plate Screws	Blue Loctite	80 to 88 inch lbs

Rotor & Bell Assemblies

Part	Description	Apply on Threads	Torque Specification
HM41-060	T- Bobbin Jet Nut	Blue Loctite	90 to 105 inch lbs
All	STD Round Bush Screws	Blue Loctite	62 to 70 inch lbs
XA5.K0.51	Tooth Rotor Screw sm	Red Loctite	35 inch lbs
05.8774.07	Tooth Rotor Screw lg	Red Loctite	62 inch lbs

