

DISCLAIMER OF WARRANTY AND LIMITATION OF LIABILITY

Due to the intended use of high performance products, ID Designs and each part thereof, are sold "AS IS" and with all faults. To the fullest extent allowed by law, ID Designs makes NO written, oral, expressed, or implied statement of warranty or guarantee on any product or part sold. ID Designs will not be liable for any direct, indirect, incidental, consequential, or special damages, including but not limited to, damage, injury, loss of life, loss of property or equipment, loss of profits or revenue, or claims from any individual or entity arising from the use of any ID Designs product.

RACING IS A DANGEROUS ACTIVITY AND PURCHASERS OF ID DESIGNS PRODUCTS ACKNOWLEDGE THE INHERENT RISKS ASSOCIATED. ID DESIGNS MAKES NO REPRESENTATIONS THAT ITS PRODUCTS CAN REDUCE OR ELIMINATE ANY SUCH RISK. ID DESIGNS products are NOT FOR STREET, HIGHWAY, OR AIRCRAFT USE and are intended ONLY for race vehicles operated on race tracks with appropriate supervision of qualified technicians or mechanics to ensure that the safety needs of the race driver and others are met. ID Designs products could be combined with other products or parts which may not be suitable and could adversely affect performance of other race parts or the vehicle. The user shall determine the ultimate suitability and safety of the product for its intended use, and the user assumes all responsibility and risk in connection therewith.

ID DESIGNS

2485 CORAL ST. UNIT A
VISTA, CA 92081
PH.760.727.9900
E MAIL INFO@IDDESIGNS.NET

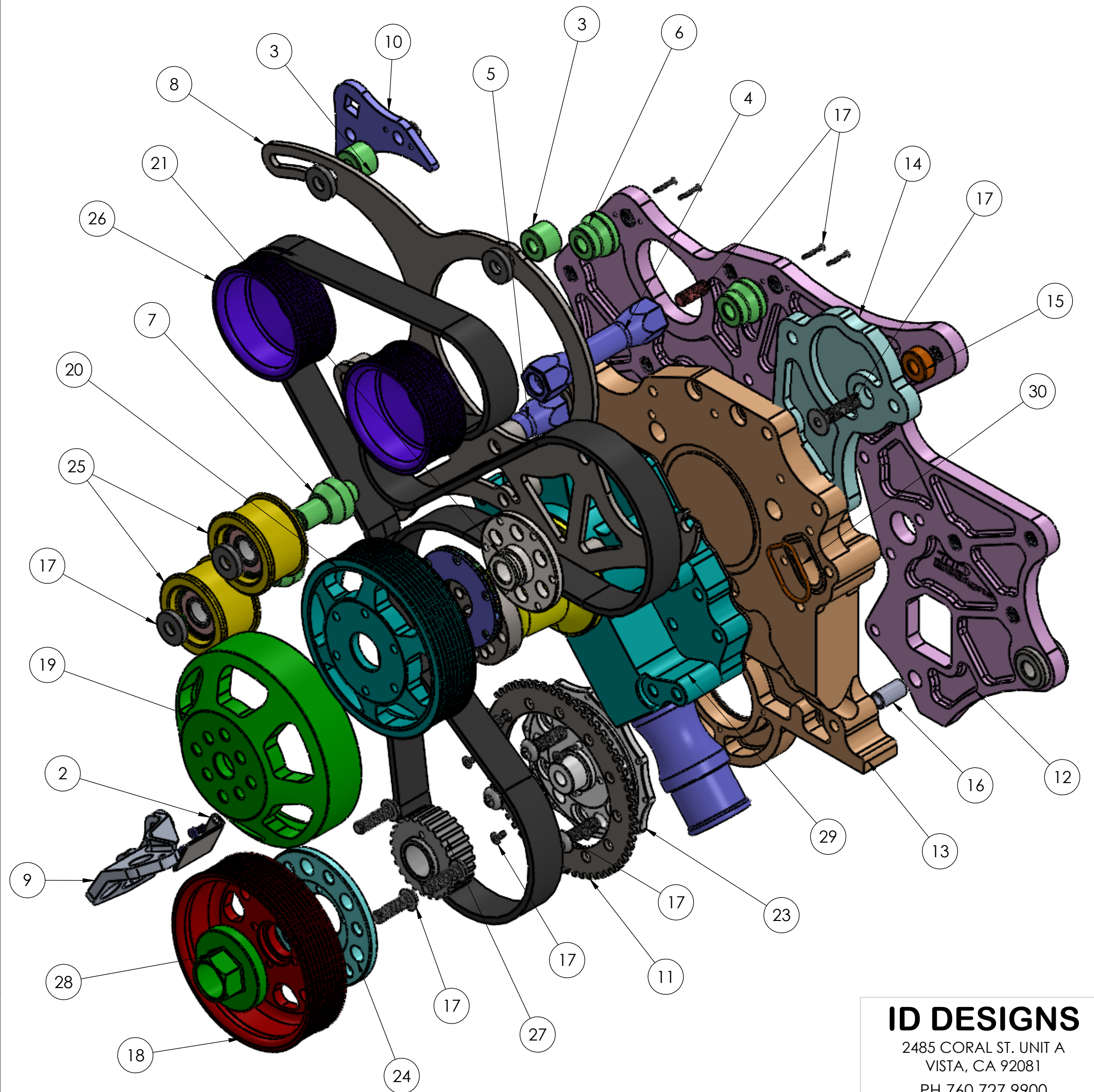
TITLE:
**SBF RACE, ACCESSORY
KIT, DUAL ALTERNATOR**

PROPRIETARY AND CONFIDENTIAL
THE INFORMATION CONTAINED IN THIS
DRAWING IS THE SOLE PROPERTY OF
ID DESIGNS. ANY REPRODUCTION IN
PART OR AS A WHOLE WITHOUT THE
WRITTEN PERMISSION OF ID DESIGNS
IS PROHIBITED.

SIZE	PART NO.	REV
C	IDD 11-1100-02	
SCALE: 1:10	WEIGHT:	SHEET 1 OF 5

ITEM NO.	PART NUMBER	DESCRIPTION	QTY.
2	IDD 11-0003	SBF TIMING POINTER BLANK	1
3	IDD 11-0004	ALT SPACER .950 DIA X .684 LONG, .375 THRU, OLD # IDD 11-1303	2
4	IDD 11-0102 A	IDLER HEX STAND OFF, 4.63 LONG, 3/8-24, 3/8-24, OLD # IDD 11-1117	1
5	IDD 11-0104 A	HEX IDLER STAND OFF, 2.98" LONG, 3/8-24, 3/8-24	1
6	IDD 11-0130	ALT STANDOFF, .891 LONG, OLD #IDD 11-1105A	2
7	IDD 11-0150	IDLER PULLEY STAND OFF, DUAL BEARING, OLD PART # IDD 11-1313	2
8	IDD 11-0203 A	SBF RACE SUBPLATE, DUAL ALTERNATOR	1
9	IDD 11-0301	SBF DUAL BMW SENSOR MOUNT	1
10	IDD 11-0403 A	DC POWER 270 AMP ALT TENSIONER BRACKET	1
11	IDD 11-0501	60-2 CRANK TRIGGER WHEEL 6.0 DIA X .125 THICK	1
12	IDD-11-1101-A	SBF RACE MAIN PLATE, SINGLE AND DUAL ALT	1
13	IDD 11-1102	ID DESIGNS FORD TIMING COVER	1
14	IDD 11-1104-A	SBF T PUMP REAR MOUNT PLATE ASSEMBLY	1
15	IDD 11-1106	SBF SERP PS PUMP REAR PLATE STANDOFF	1
16	IDD 11-1107	SBF SHUFFLE PIN	2
17	IDD 11-1127	HARDWARE KIT, SBF DUAL ALT	1
18	IDD 11-1701	CRANK PULLEY, 8 RIB, 5.375 DIA	1
19	IDD 11-1702 R3	FORD SERPENTINE WP PULLEY	1
20	IDD 11-1703	PS PULLEY, 8 RIB, 5.375 DIA	1
21	IDD 11-1704	PS T PUMP KEYED HUB, 5/8 SHAFT	1
22	IDD 11-1704-A	PS HUB SHIM KIT .060, .090, .125, .160, .190, .250	1
23	IDD 11-1712-A	HARMONIC BALANCER TO OIL PUMP DRIVE GEAR ADAPTER ASSY	1
24	IDD 11-1713	OIL PUMP GEAR TO CRANK PULLEY ADAPTER	1
25	IDD 11-1714-A	IDLER PULLEY ASSEM, 2.25 DIA, SMOOTH, FENCED, DUAL BEARING	2
26	IDD 11-1718	ALT PULLEY, 8 RIB, 3.375 DIA, 17MM SHAFT	2
27	IDD 11-1731 25	25 TOOTH, TWIN PIN, HTD PULLEY CV15625	1
28	IDD 11-1735	HEX HAT DRIVE WASHER 1/2" HOLE CVD44501	1
29	MEZ WPR411	MEZIERE WATER PUMP, REV ROTATION, 4 IN IMPELLAR	1
30	ORING 127V	VITON, 127 O RING	2
31	SBF 8 RIB SERP BELT, DUAL ALT	SBF, DUAL ALT, 8 RIB BELT	1

THIS IS A STANDARD KIT, TESTED IN OFF ROAD RACING APPLICATIONS. IF A DIFFERENT PULLEY DRIVE RATIO IS REQUIRED, ADDITIONAL PULLEY SIZES ARE AVAILABLE. CONSULT WEBSITE FOR OPTIONS.



ID DESIGNS
 2485 CORAL ST. UNIT A
 VISTA, CA 92081
 PH.760.727.9900
 E MAIL INFO@IDDESIGNS.NET
 TITLE:
**SBF RACE, ACCESSORY
 KIT, DUAL ALTERNATOR**

PROPRIETARY AND CONFIDENTIAL
 THE INFORMATION CONTAINED IN THIS
 DRAWING IS THE SOLE PROPERTY OF
 ID DESIGNS. ANY REPRODUCTION IN
 PART OR AS A WHOLE WITHOUT THE
 WRITTEN PERMISSION OF ID DESIGNS
 IS PROHIBITED.

SIZE **C** PART NO. **IDD 11-1100-02** REV
 SCALE: 1:10 WEIGHT: SHEET 2 OF 5

4

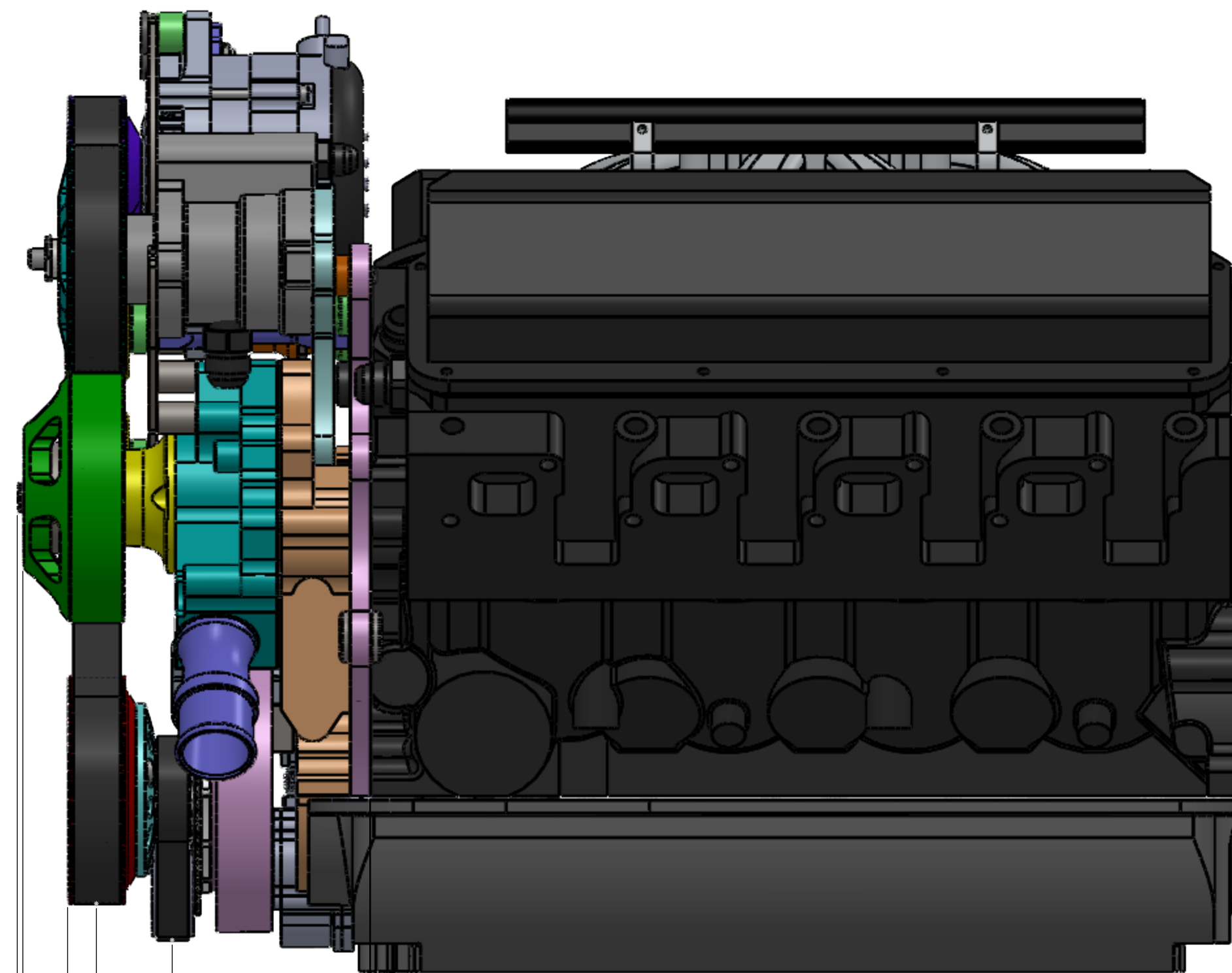
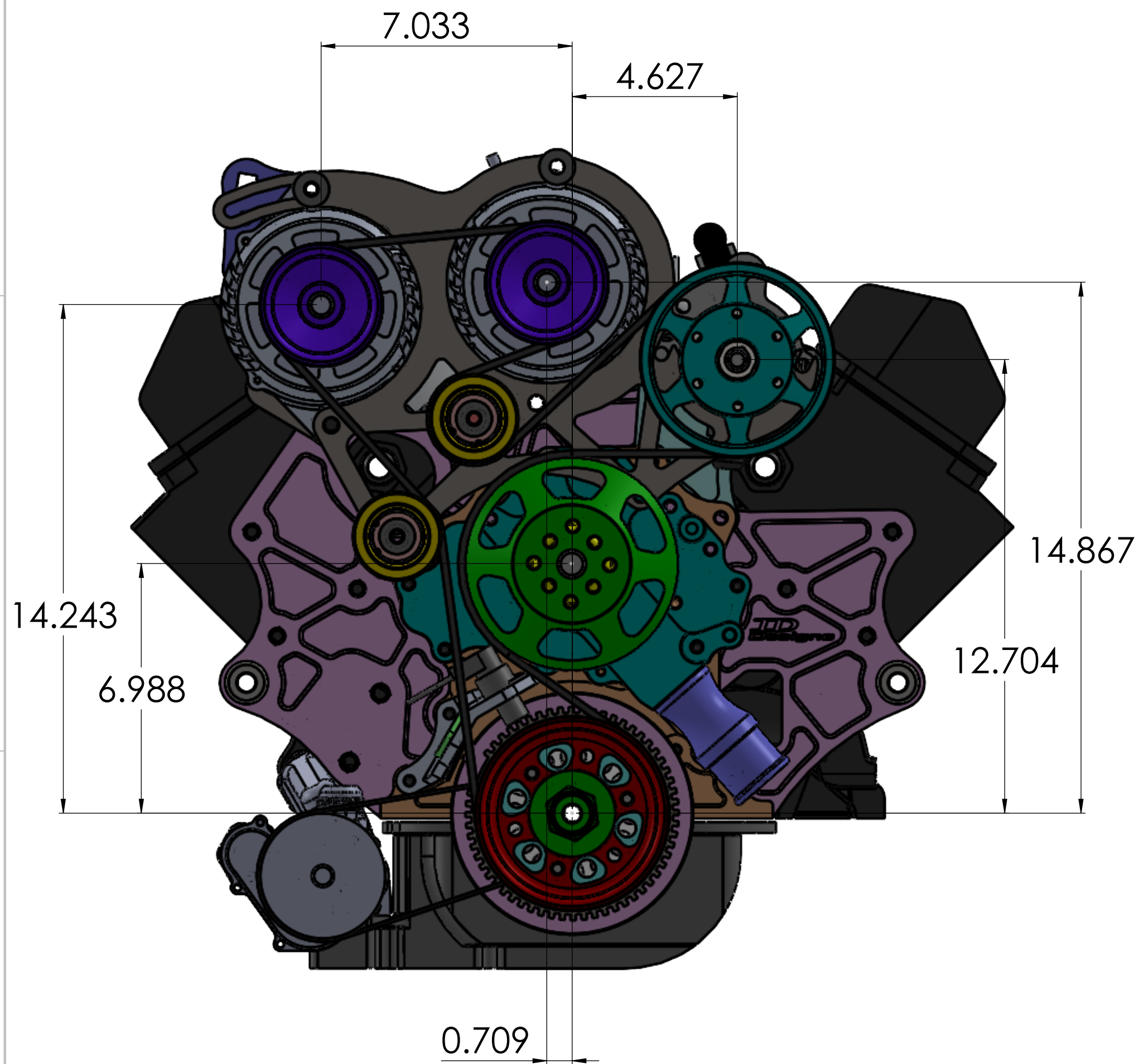
3

2

1

D

D



- 4.724
BLOCK TO \varnothing OF PULLEY
- 6.537
BLOCK TO \varnothing OF PULLEY
- 7.244
BLOCK TO FRONT OF PULLEY
- 8.295
BLOCK TO FRONT OF PULLEY
- 8.428
BLOCK TO PUMP SNOOT

COMMON HARMONIC BALANCER
KNOWN TO WORK
ATI 917562

PROPRIETARY AND CONFIDENTIAL
 THE INFORMATION CONTAINED IN THIS
 DRAWING IS THE SOLE PROPERTY OF
 ID DESIGNS. ANY REPRODUCTION IN
 PART OR AS A WHOLE WITHOUT THE
 WRITTEN PERMISSION OF ID DESIGNS
 IS PROHIBITED.

ID DESIGNS

2485 CORAL ST. UNIT A
 VISTA, CA 92081
 PH.760.727.9900
 E MAIL INFO@IDDESIGNS.NET

TITLE:
**SBF RACE, ACCESSORY
 KIT, DUAL ALTERNATOR**

SIZE	PART NO.	REV
C	IDD 11-1100-02	
SCALE: 1:10 WEIGHT:	SHEET 3 OF 5	

B

B

A

A

4

3

2

1

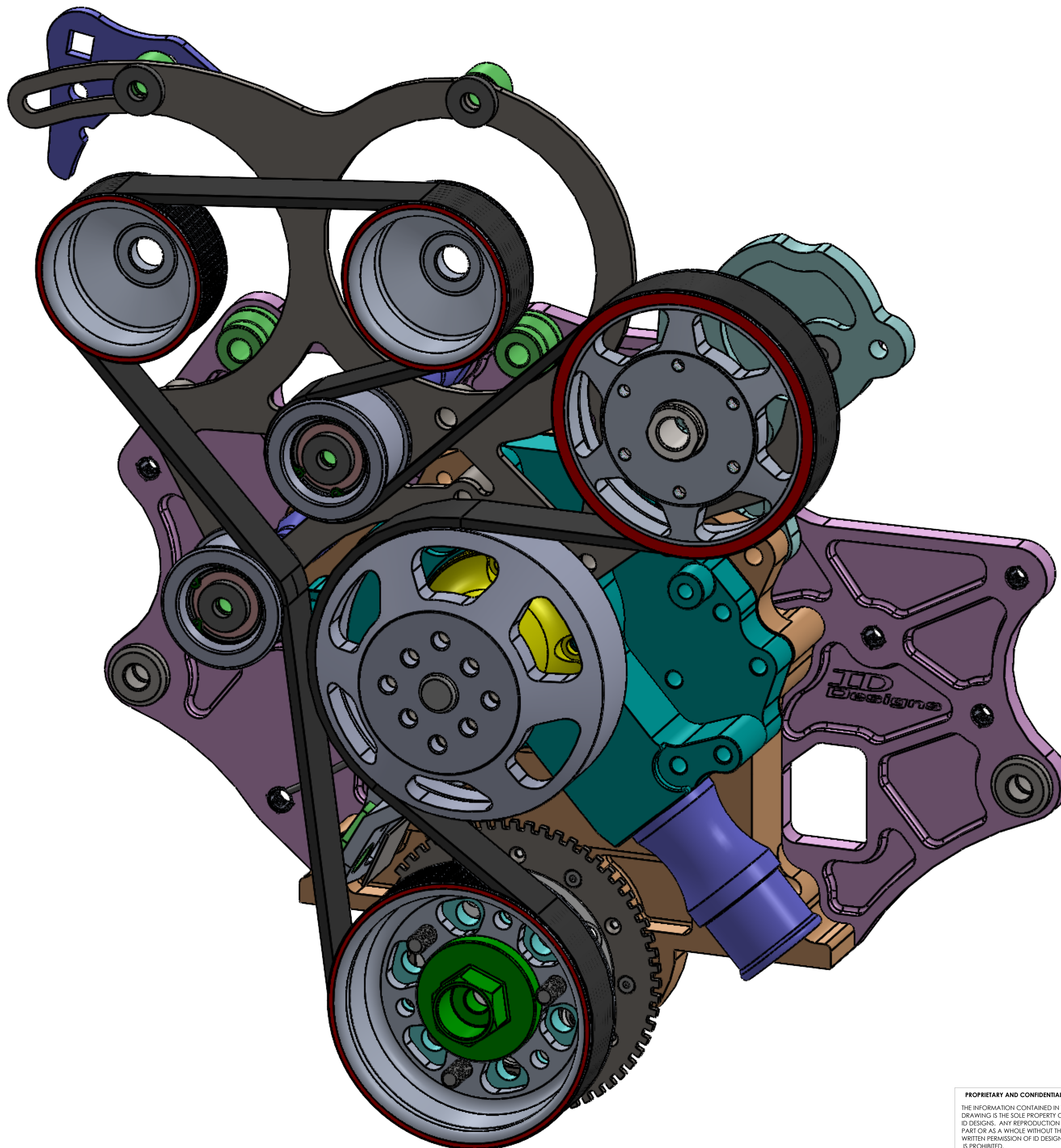
4

3

2

1

PULLEYS WITH RED HIGHLIGHTED FACES SHOULD BE COPLANAR
THE USE OF SHIMS MAY BE NECESSARY FOR THE PS PULLEY



ID DESIGNS

2485 CORAL ST. UNIT A
VISTA, CA 92081
PH.760.727.9900
E MAIL INFO@IDDESIGNS.NET

TITLE:
SBF RACE, ACCESSORY
KIT, DUAL ALTERNATOR

PROPRIETARY AND CONFIDENTIAL
THE INFORMATION CONTAINED IN THIS
DRAWING IS THE SOLE PROPERTY OF
ID DESIGNS. ANY REPRODUCTION IN
PART OR AS A WHOLE WITHOUT THE
WRITTEN PERMISSION OF ID DESIGNS
IS PROHIBITED.

SIZE	PART NO.	REV
C	IDD 11-1100-02	
SCALE: 1:5	WEIGHT:	SHEET 4 OF 5

4

3

2

1

D

D

C

C

B

B

A

A

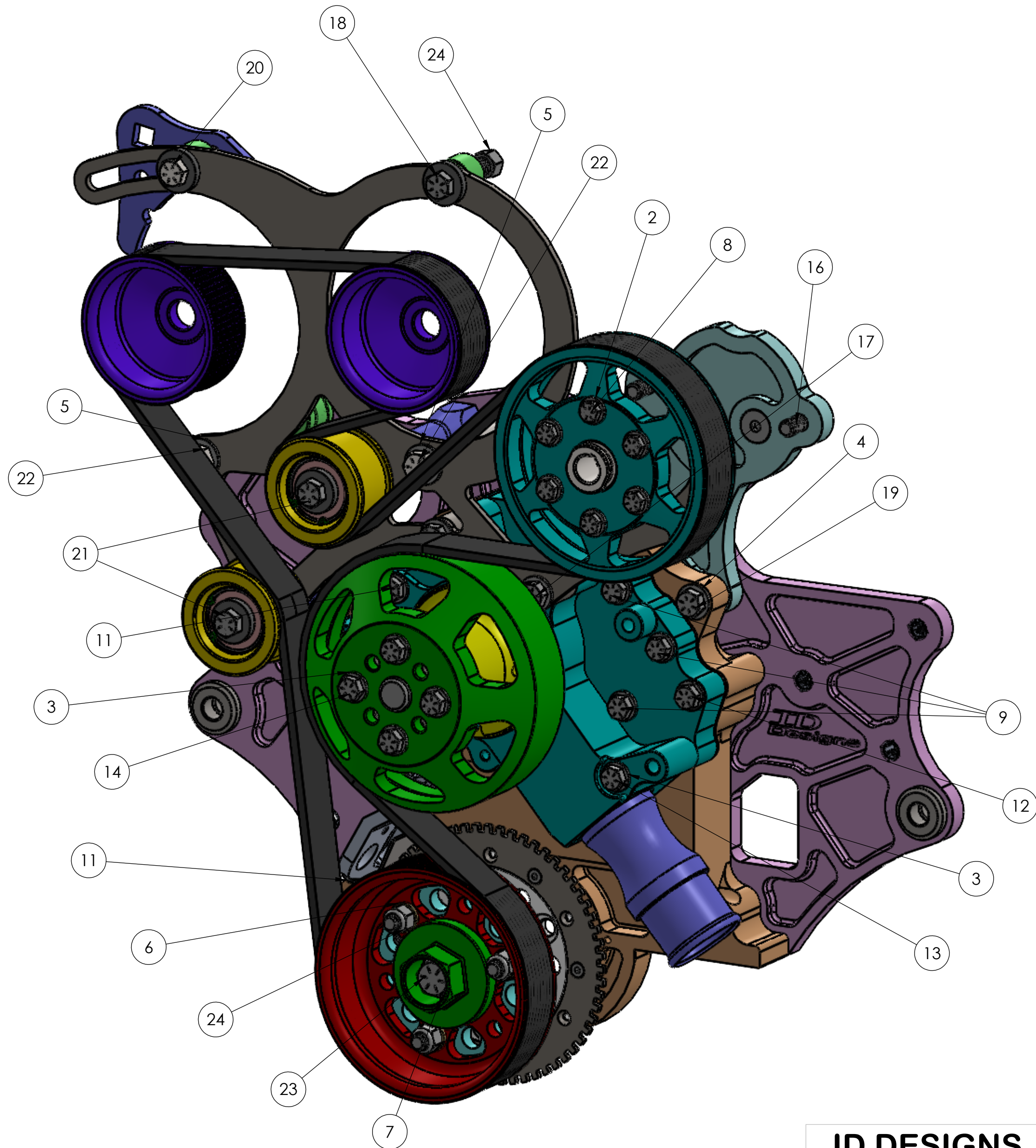
4

3

2

1

ITEM NO.	PART NUMBER	DESCRIPTION	QTY.
1	IDD 11-1100-02	SBF RACE, ACCESSORY KIT, DUAL ALTERNATOR	1
2	HRD WSAE 4	1/4 SAE WASHER, 90126A029	6
3	HRD WSAE 5	5/16 SAE WASHER, 90126A030	17
4	HRD WSAE 6	3/8 SAE WASHER, 90126A031	8
5	HRD WSAE 7	7/16 SAE WASHER, 90126A032	2
6	HRD MS20002C6	MS COUNTERSUNK WASHER 3/8	3
7	HRD MS20002C8	MS COUNTERSUNK WASHER 1/2	1
8	HRD HH 4-28-12-GR8	1/4-28 X 3/4 LONG HH GR8 BOLT, 92620A563	6
9	HRD HH 5-18-28-GR8	5/16-18 X 1.75 LONG HH GR8 BOLT, 91257A589	4
10	HRD HH 5-18-40-GR8	5/16-18 X 2.5 LONG HH GR8 BOLT, 91257A593	2
11	HRD HH 5-18-44-GR8	5/16-18 X 2.75 LONG HH GR8 BOLT, 91257A596	3
12	HRD HH 5-18-60-GR8	5/16-18 X 3.75 LONG HH GR8 BOLT, 91257A599	3
13	HRD HH 5-18-80-GR8	5/16-18 X 5 LONG HH GR8 BOLT, 91257A603	1
14	HRD HH 5-24-16-GR8	5/16-24 X 1.0 LONG HH GR8 BOLT, 92620A607	4
15	HRD HH 6-16-12-GR8	3/8-16 X 3/4 LONG HH GR8 BOLT, 92620A622	2
16	HRD HH 6-16-20-GR8	3/8-16 X 1.25 LONG HH GR8 BOLT, 92620A626	2
17	HRD HH 6-16-28-GR8	3/8-16 X 1.75 LONG HH GR8 BOLT, 91257A630	2
18	HRD HH 6-16-36-GR8	3/8-16 X 2.25 LONG HH GR8 BOLT, 91257A633	1
19	HRD HH 6-24-24-GR8	3/8-24 X 1.5 LONG HH GR8 BOLT, 91257A657	2
20	HRD HH 6-24-40-GR8	3/8-24 X 2.5 LONG HH GR8 BOLT, 91257A661	1
21	HRD HH 6-24-48-GR8	3/8-24 X 3.0 LONG HH GR8 BOLT, 91257A663	2
22	HRD HH 7-20-88-GR8	7/16-20 X 5.5 LONG HH GR8 BOLT, 91257A711	2
23	HRD HH 8-20-32-GR8	1/2-20 X 2.00 LONG HH GR8 BOLT, 91257A748	1
24	HRD NYN 6-16-GR8	3/8-16 NYLOCK GR8 NUT, 97135A230	4



ID DESIGNS

2485 CORAL ST. UNIT A
 VISTA, CA 92081
 PH.760.727.9900
 E MAIL INFO@IDDESIGNS.NET

TITLE: SBF DUAL ALT WITH
 HARDWARE

PROPRIETARY AND CONFIDENTIAL
 THE INFORMATION CONTAINED IN THIS
 DRAWING IS THE SOLE PROPERTY OF
 ID DESIGNS. ANY REPRODUCTION IN
 PART OR AS A WHOLE WITHOUT THE
 WRITTEN PERMISSION OF ID DESIGNS
 IS PROHIBITED.

SIZE	PART NO.	REV
C	IDD 11-1100-02	
SCALE: 1:5	WEIGHT:	SHEET 5 OF 5

4

3

2

1

D

D

C

C

B

B

A

A