

DISCLAIMER OF WARRANTY AND LIMITATION OF LIABILITY

Due to the intended use of high performance products, ID Designs and each part thereof, are sold "AS IS" and with all faults. To the fullest extent allowed by law, ID Designs makes NO written, oral, expressed, or implied statement of warranty or guarantee on any product or part sold. ID Designs will not be liable for any direct, indirect, incidental, consequential, or special damages, including but not limited to, damage, injury, loss of life, loss of property or equipment, loss of profits or revenue, or claims from any individual or entity arising from the use of any ID Designs product.

RACING IS A DANGEROUS ACTIVITY AND PURCHASERS OF ID DESIGNS PRODUCTS ACKNOWLEDGE THE INHERENT RISKS ASSOCIATED. ID DESIGNS MAKES NO REPRESENTATIONS THAT ITS PRODUCTS CAN REDUCE OR ELIMINATE ANY SUCH RISK. ID DESIGNS products are NOT FOR STREET, HIGHWAY, OR AIRCRAFT USE and are intended ONLY for race vehicles operated on race tracks with appropriate supervision of qualified technicians or mechanics to ensure that the safety needs of the race driver and others are met. ID Designs products could be combined with other products or parts which may not be suitable and could adversely affect performance of other race parts or the vehicle. The user shall determine the ultimate suitability and safety of the product for its intended use, and the user assumes all responsibility and risk in connection therewith.

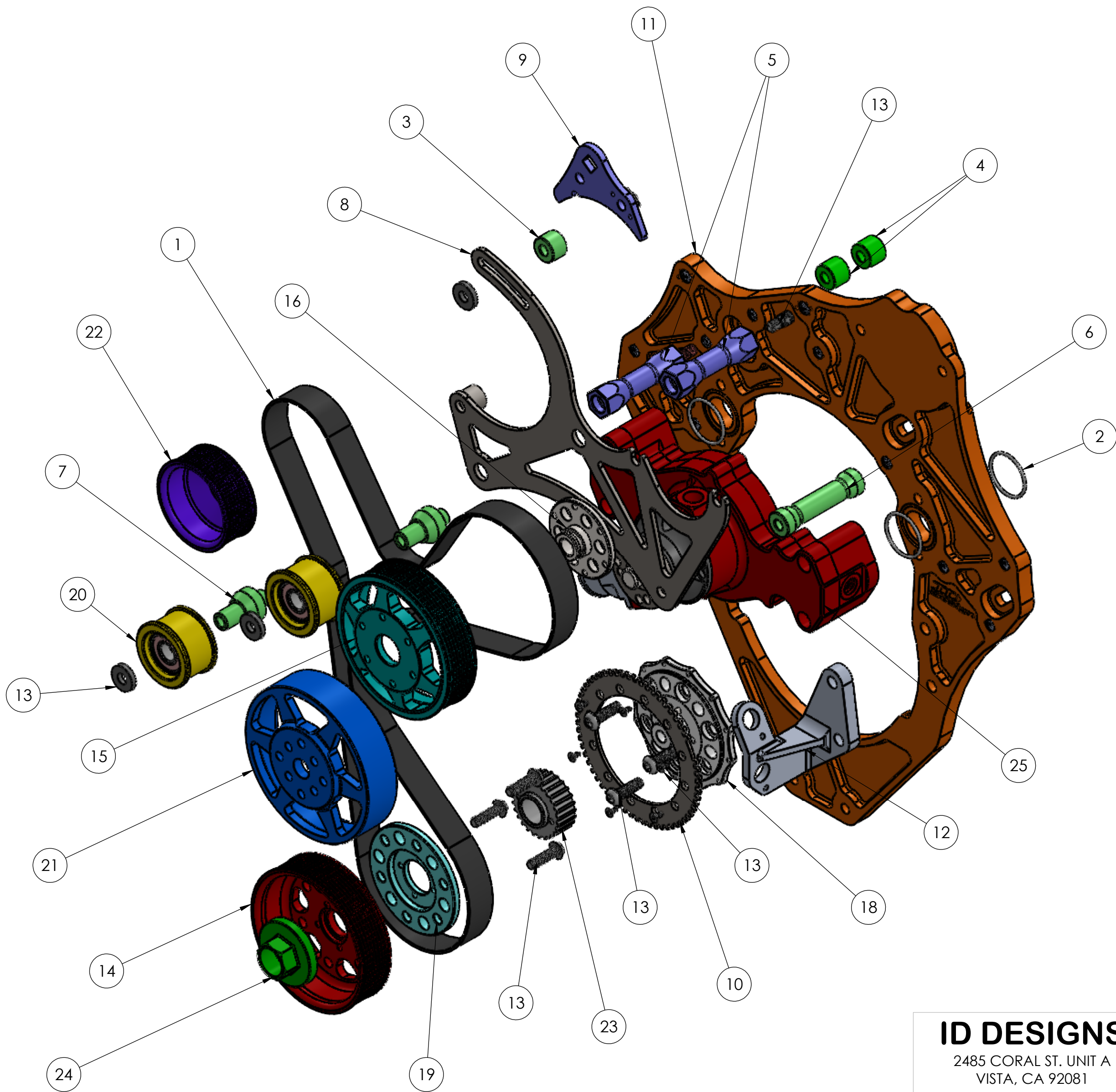
PROPRIETARY AND CONFIDENTIAL
 THE INFORMATION CONTAINED IN THIS DRAWING IS THE SOLE PROPERTY OF ID DESIGNS. ANY REPRODUCTION IN PART OR AS A WHOLE WITHOUT THE WRITTEN PERMISSION OF ID DESIGNS IS PROHIBITED.

ID DESIGNS
 2485 CORAL ST. UNIT A
 VISTA, CA 92081
 PH.760.727.9900
 E MAIL INFO@IDDESIGNS.NET
 TITLE:
**BBC RACE SERPANTINE
 ACC PACKAGE, 8 RIB,
 SINGLE ALTERNATOR**

SIZE	PART NO.	REV
C	IDD 11-1600-01	
SCALE: 1:5	WEIGHT:	SHEET 1 OF 5

ITEM NO.	PART NUMBER	DESCRIPTION	
1	25-080685 BBC	080865 Big Block Chevy Single Alt Serp Belt	1
2	5267T96	VITON ORING 129V	4
3	IDD 11-0004	ALT SPACER .950 DIA X .684 LONG, .375 THRU, OLD # IDD 11-1303	1
4	IDD 11-0006	HEAD TO MAIN PLATE SPACER, BBC, .950 OD, .378 THRU, .750 LONG	2
5	IDD 11-0101A	HEX IDLER STANDOFF 3.738 LONG 3/8-24, 3/8-24	2
6	IDD 11-0120	ENGINE SUB PLATE SPACER, 3/8 THRU HOLE, 3.738 LONG, OLD #11-1306	1
7	IDD 11-0150	IDLER PULLEY STAND OFF, DUAL BEARING, OLD PART # IDD 11-1313	2
8	IDD 11-0202 A	SBC RACE SUBPLATE ASSY, SINGLE ALTERNATOR	1
9	IDD 11-0403 A	DC POWER 270 AMP ALT TENSIONER BRACKET	1
10	IDD 11-0501	60-2 CRANK TRIGGER WHEEL 6.0 DIA X .125 THICK	1
11	IDD 11-1601-A	BBC MAIN PLATE ASSEM, RACE, 8 RIB SERP, DUAL ALT CAPABLE	1
12	IDD 11-1602	11-1602 BBC DUAL CRANK TRIGGER MOUNT	1
13	IDD 11-1621	BIG BLOCK CHEVY SINGLE ALT HARDWARE KIT	1
14	IDD 11-1701	CRANK PULLEY, 8 RIB, 5.375 DIA	1
15	IDD 11-1703	PS PULLEY, 8 RIB, 5.375 DIA	1
16	IDD 11-1704	PS T PUMP KEYED HUB, 5/8 SHAFT	1
17	IDD 11-1704-A	PS HUB SHIM KIT .060, .090, .125, .160, .190, .250	1
18	IDD 11-1712-A	HARMONIC BALANCER TO OIL PUMP DRIVE GEAR ADAPTER ASSY	1
19	IDD 11-1713	OIL PUMP GEAR TO CRANK PULLEY ADAPTER	1
20	IDD 11-1714-A	IDLER PULLEY ASSEM, 2.25 DIA, SMOOTH, FENCED, DUAL BEARING	2
21	IDD 11-1715	H2O PUMP PULLEY, SBC, BBC, LS, 6.0 DIA	1
22	IDD 11-1718	ALT PULLEY, 8 RIB, 3.375 DIA, 17MM SHAFT	1
23	IDD 11-1731 23	23 TOOTH, TWIN PIN, HTD PULLEY CV15625	1
24	IDD 11-1735	HEX HAT DRIVE WASHER 1/2" HOLE CVD44501	1
25	MEZ WPR403N	Mezire Big Block Chevy, 4in Impeller Race Water Pump	1

THIS IS A STANDARD KIT, TESTED IN OFF ROAD RACING APPLICATIONS. IF A DIFFERENT PULLEY DRIVE RATIO IS REQUIRED, ADDITIONAL PULLEY SIZES ARE AVAILABLE. CONSULT WEBSITE FOR OPTIONS.



**THE HEAD SPACER 11-0006 IS PURPOSELY OVERSIZED
CUT IT DOWN TO FIT YOUR APPLICATION
SHIMS MAY BE NECESSARY FOR THE PROPER FITMENT TO THE DRIVER SIDE HEAD**

PROPRIETARY AND CONFIDENTIAL
THE INFORMATION CONTAINED IN THIS DRAWING IS THE SOLE PROPERTY OF ID DESIGNS. ANY REPRODUCTION IN PART OR AS A WHOLE WITHOUT THE WRITTEN PERMISSION OF ID DESIGNS IS PROHIBITED.

ID DESIGNS

2485 CORAL ST. UNIT A
VISTA, CA 92081
PH.760.727.9900
E MAIL INFO@IDDESIGNS.NET

TITLE:
**BBC RACE SERPANTINE
ACC PACKAGE, 8 RIB,
SINGLE ALTERNATOR**

SIZE	PART NO.	REV
C	IDD 11-1600-01	
SCALE: 1:2	WEIGHT:	SHEET 2 OF 5

4

3

2

1

D

D

5.555 4.129

15.495

7.379

14.388

C

C

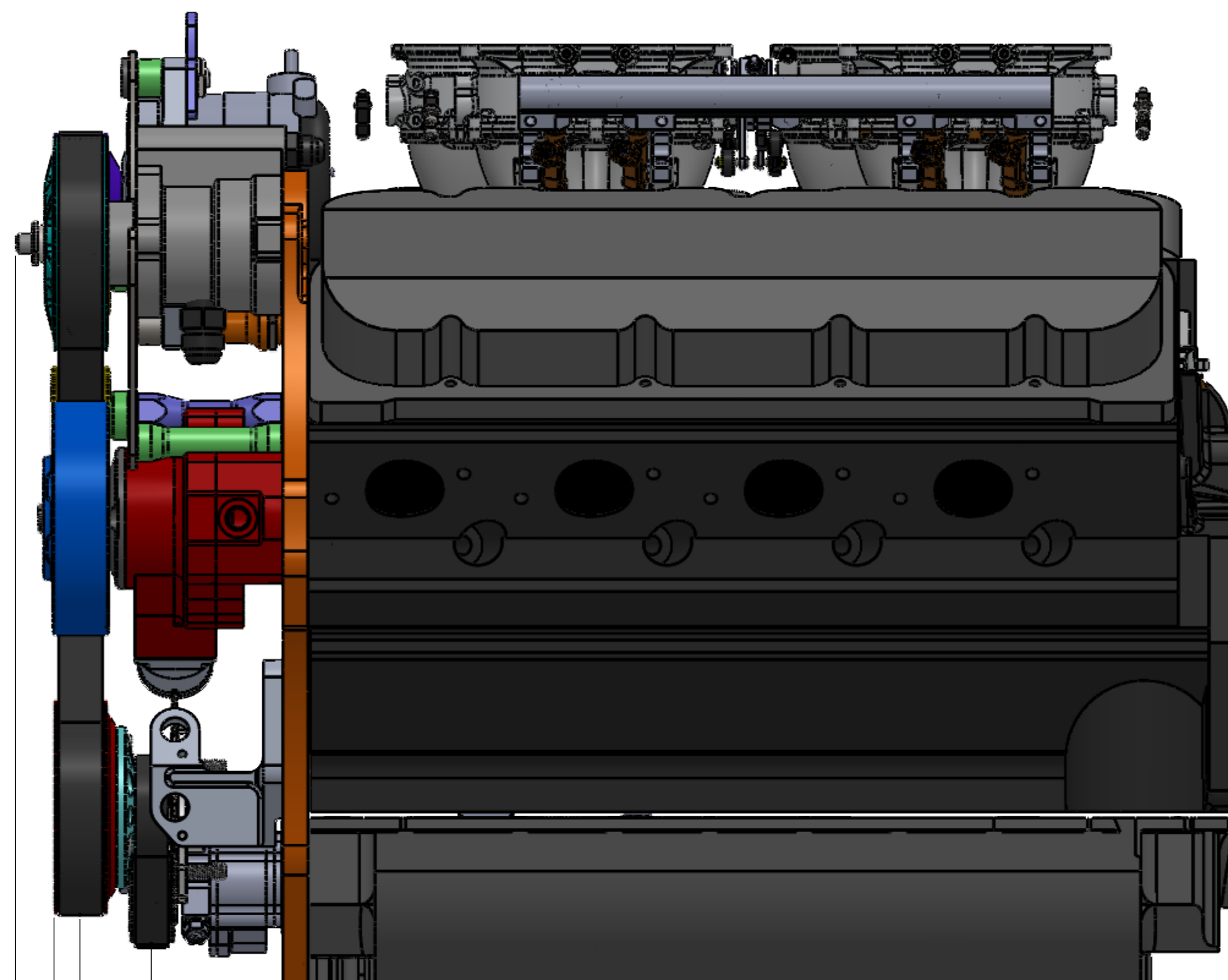
B

B

A

A

COMMON HARMONIC BALANCER
KNOWN TO WORK
ATI 917060



3.989

BLOCK TO \varnothing OF PULLEY

5.810

BLOCK TO \varnothing OF PULLEY

6.473

BLOCK TO FRONT OF PULLEY

7.456

BLOCK TO PUMP SNOOT

ID DESIGNS

2485 CORAL ST. UNIT A
VISTA, CA 92081

PH.760.727.9900
E MAIL INFO@IDDESIGNS.NET

TITLE:
BBC RACE, SINGLE ALT,
W/ PS PUMP, BLOCK,
HARDWARE

PROPRIETARY AND CONFIDENTIAL
THE INFORMATION CONTAINED IN THIS
DRAWING IS THE SOLE PROPERTY OF
ID DESIGNS. ANY REPRODUCTION IN
PART OR AS A WHOLE WITHOUT THE
WRITTEN PERMISSION OF ID DESIGNS
IS PROHIBITED.

SIZE PART NO. REV

C IDD 11-1600-01

SCALE: 1:10 WEIGHT: SHEET 3 OF 5

4

3

2

1

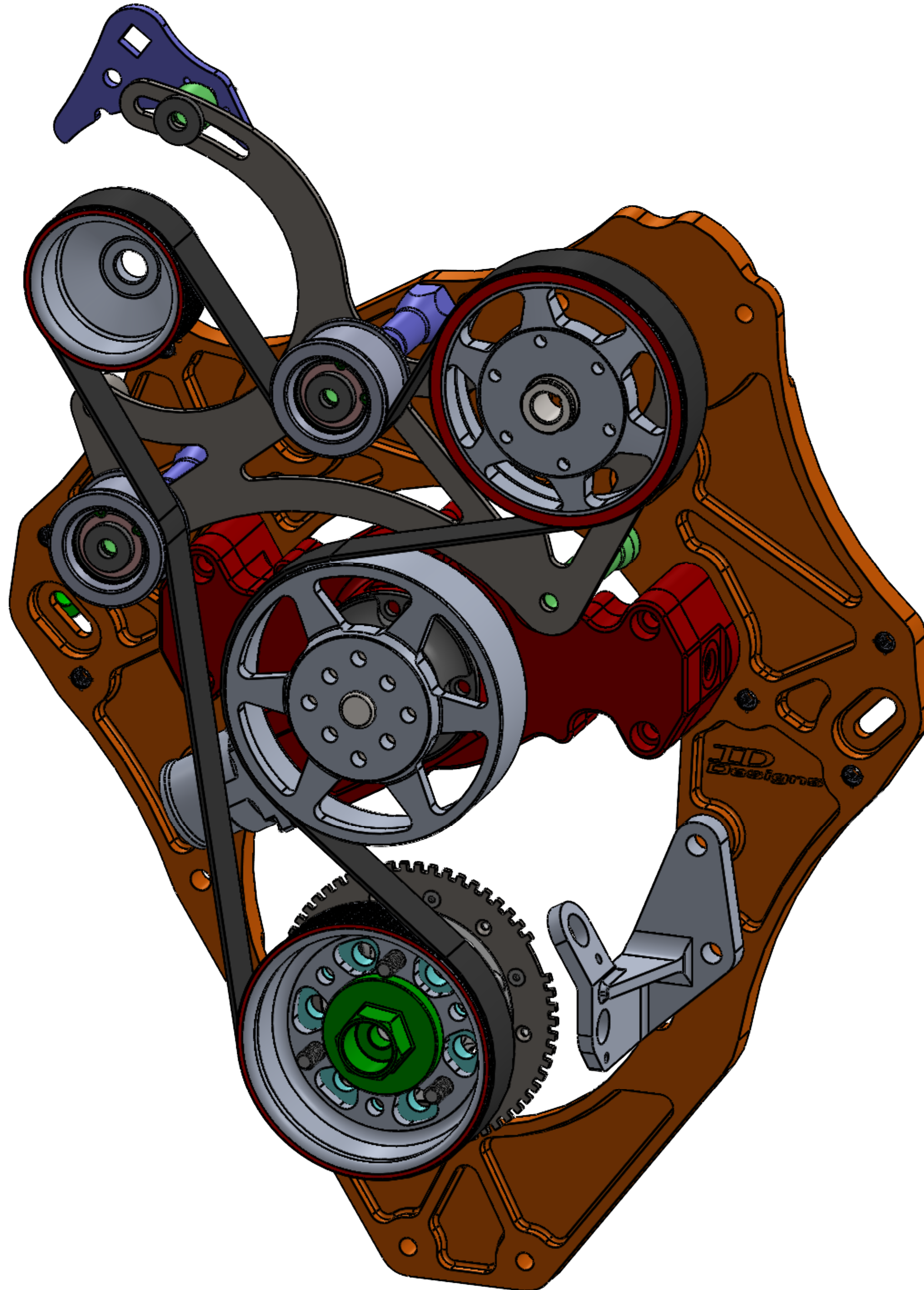
4

3

2

1

PULLEYS WITH RED HIGHLIGHTED FACES SHOULD BE COPLANAR
THE USE OF SHIMS MAY BE NECESSARY FOR THE PS PULLEY



ID DESIGNS
 2485 CORAL ST. UNIT A
 VISTA, CA 92081
 PH.760.727.9900
 E MAIL INFO@IDDESIGNS.NET
 TITLE:
**BBC RACE SERPANTINE
 ACC PACKAGE, 8 RIB,
 SINGLE ALTERNATOR**

PROPRIETARY AND CONFIDENTIAL
 THE INFORMATION CONTAINED IN THIS
 DRAWING IS THE SOLE PROPERTY OF
 ID DESIGNS. ANY REPRODUCTION IN
 PART OR AS A WHOLE WITHOUT THE
 WRITTEN PERMISSION OF ID DESIGNS
 IS PROHIBITED.

SIZE	PART NO.	REV
C	IDD 11-1600-01	
SCALE: 1:5 WEIGHT:		SHEET 4 OF 5

4

3

2

1

D

D

C

C

B

B

A

A

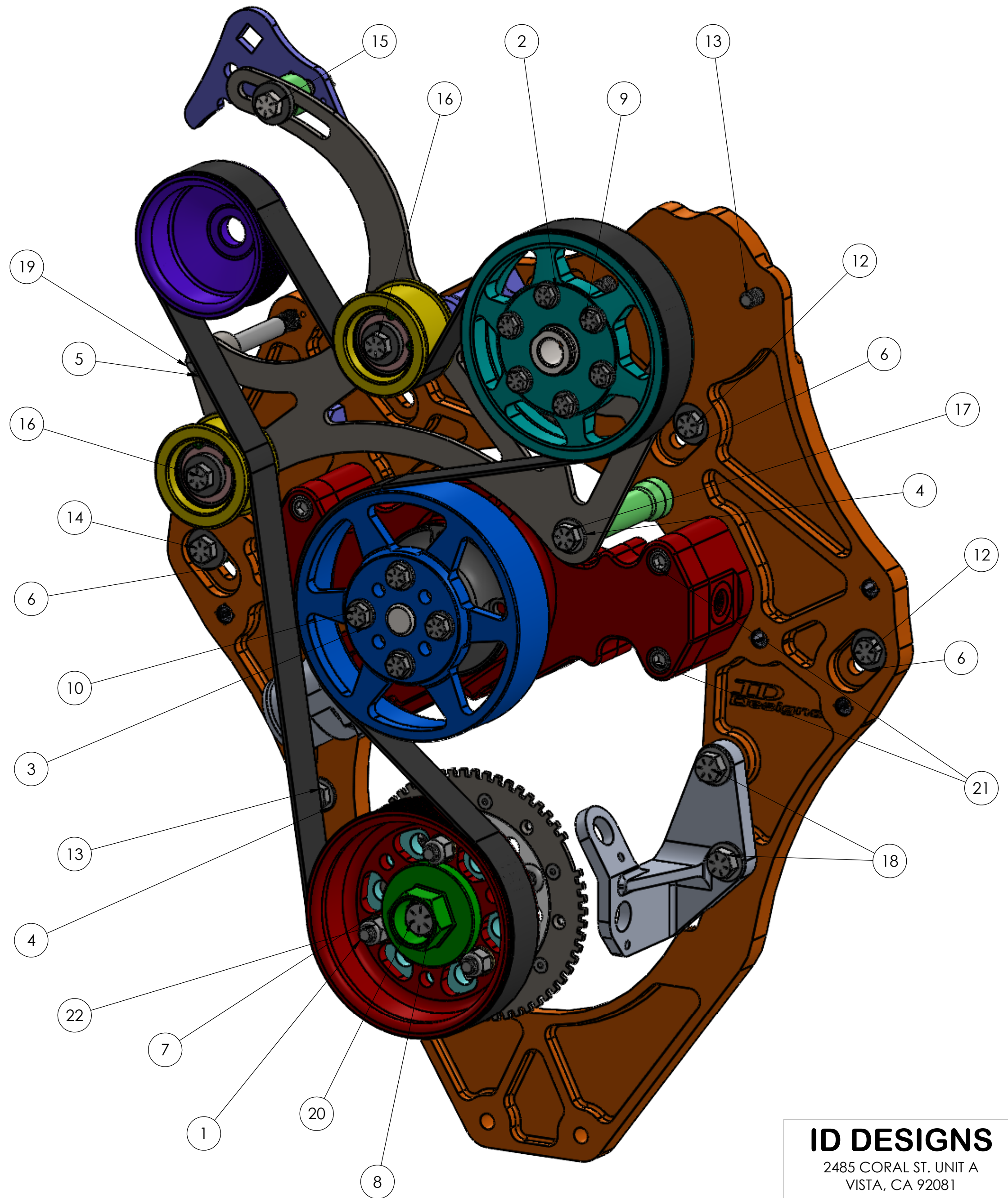
4

3

2

1

ITEM NO.	PART NUMBER	DESCRIPTION	
1	IDD 11-1600-01	BBC RACE SERPANTINE ACC PACKAGE, 8 RIB, SINGLE ALTERNATOR	1
2	HRD WSAE 4	1/4 SAE WASHER, 90126A029	6
3	HRD WSAE 5	5/16 SAE WASHER, 90126A030	4
4	HRD WSAE 6	3/8 SAE WASHER, 90126A031	7
5	HRD WSAE 7	7/16 SAE WASHER, 90126A032	3
6	HRD TW 6-16-3-AS	THICK WASHER, .375 ID, 1.0 OD, .190 THICK, 98099A031	4
7	HRD MS20002C6	MS COUNTERSUNK WASHER 3/8	3
8	HRD MS20002C8	MS COUNTERSUNK WASHER 1/2	1
9	HRD HH 4-28-12-GR8	1/4-28 X 3/4 LONG HH GR8 BOLT, 92620A563	6
10	HRD HH 5-24-16-GR8	5/16-24 X 1.0 LONG HH GR8 BOLT, 92620A607	4
11	HRD HH 6-16-12-GR8	3/8-16 X 3/4 LONG HH GR8 BOLT, 92620A622	2
12	HRD HH 6-16-16-GR8	3/8-16 X 1.0 LONG HH GR8 BOLT, 92620A624	2
13	HRD HH 6-16-20-GR8	3/8-16 X 1.25 LONG HH GR8 BOLT, 92620A626	4
14	HRD HH 6-16-32-GR8	3/8-16 X 2.0 LONG HH GR8 BOLT, 91257A632	2
15	HRD HH 6-24-40-GR8	3/8-24 X 2.5 LONG HH GR8 BOLT, 91257A661	1
16	HRD HH 6-24-48-GR8	3/8-24 X 3.0 LONG HH GR8 BOLT, 91257A663	2
17	HRD HH 6-24-72-GR8	3/8-24 X 4.5 LONG HH GR8 BOLT, 91257A666	1
18	HRD HH 7-14-28-GR8	7/16-14 X 1.75 LONG, HH GR8 BOLT, 91257A675	2
19	HRD HH 7-20-72-GR8	7/16-20 X 4.5 LONG HH GR8 BOLT, 91257A710	1
20	HRD HH 8-20-32-GR8	1/2-20 X 2.00 LONG HH GR8 BOLT, 91257A748	1
21	HRD SHCS 6-16-52-ZAS	3/8-16 X 3.250 LONG SHCS BOLT, 90128A303	4
22	HRD NYN 6-16-GR8	3/8-16 NYLOCK GR8 NUT, 97135A230	3



ID DESIGNS
 2485 CORAL ST. UNIT A
 VISTA, CA 92081
 PH.760.727.9900
 E MAIL INFO@IDDESIGNS.NET
 TITLE:
**BBC RACE, SINGLE ALT,
 W/ PS PUMP, BLOCK,
 HARDWARE**

PROPRIETARY AND CONFIDENTIAL
 THE INFORMATION CONTAINED IN THIS
 DRAWING IS THE SOLE PROPERTY OF
 ID DESIGNS. ANY REPRODUCTION IN
 PART OR AS A WHOLE WITHOUT THE
 WRITTEN PERMISSION OF ID DESIGNS
 IS PROHIBITED.

SIZE PART NO. REV
C IDD 11-1600-01
 SCALE: 1:2 WEIGHT: SHEET 5 OF 5

4

3

2

1

D

D

C

C

B

B

A

A