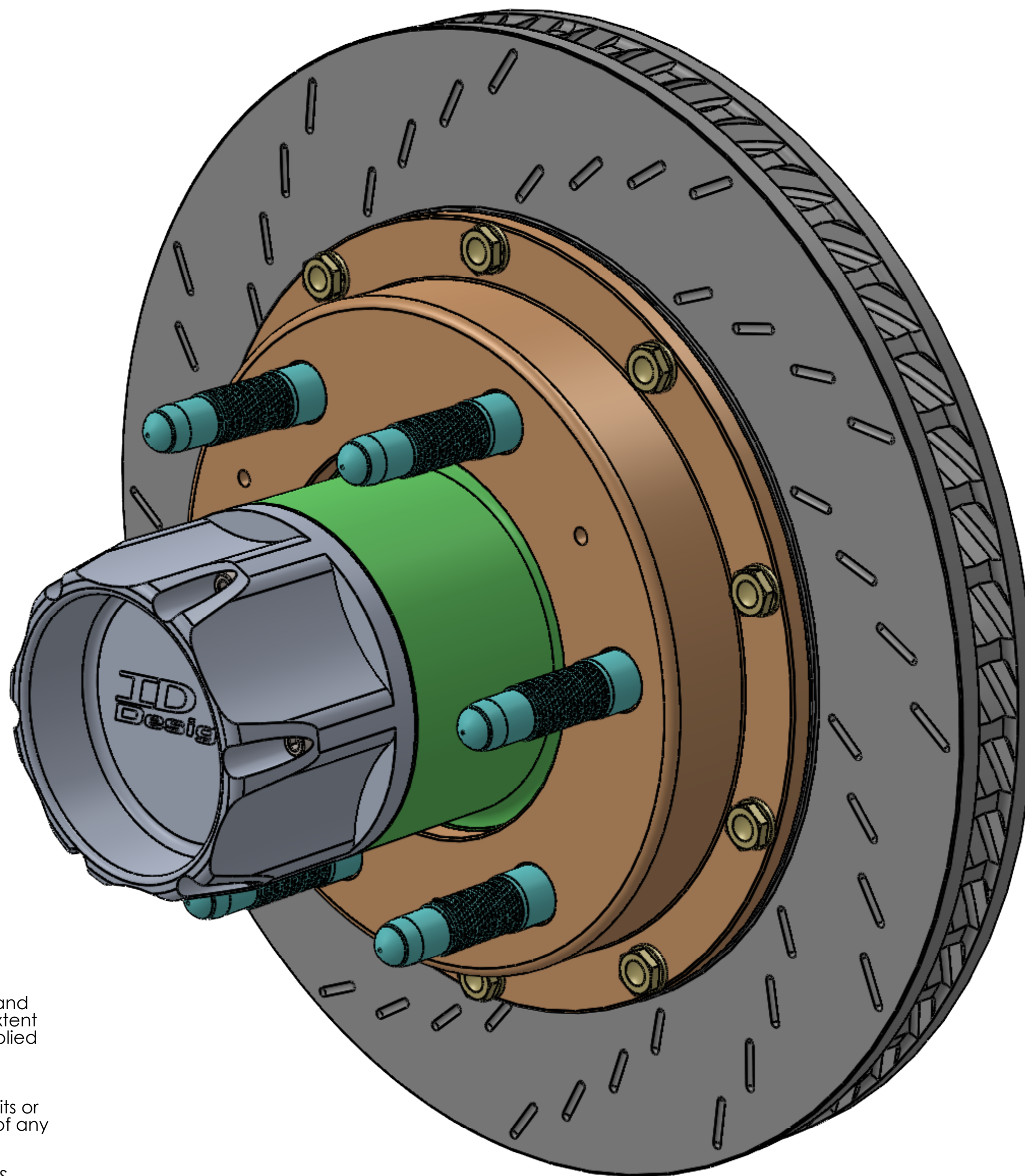


4

3

2

1



**DISCLAIMER OF WARRANTY AND LIMITATION OF LIABILITY**

Due to the intended use of high performance products, ID Designs and each part thereof, are sold "AS IS" and with all faults. To the fullest extent allowed by law, ID Designs makes NO written, oral, expressed, or implied statement of warranty or guarantee on any product or part sold. ID Designs will not be liable for any direct, indirect, incidental, consequential, or special damages, including but not limited to, damage, injury, loss of life, loss of property or equipment, loss of profits or revenue, or claims from any individual or entity arising from the use of any ID Designs product.

RACING IS A DANGEROUS ACTIVITY AND PURCHASERS OF ID DESIGNS PRODUCTS ACKNOWLEDGE THE INHERENT RISKS ASSOCIATED. ID DESIGNS MAKES NO REPRESENTATIONS THAT ITS PRODUCTS CAN REDUCE OR ELIMINATE ANY SUCH RISK. ID DESIGNS products are NOT FOR STREET, HIGHWAY, OR AIRCRAFT USE and are intended ONLY for race vehicles operated on race tracks with appropriate supervision of qualified technicians or mechanics to ensure that the safety needs of the race driver and others are met. ID Designs products could be combined with other products or parts which may not be suitable and could adversely affect performance of other race parts or the vehicle. The user shall determine the ultimate suitability and safety of the product for its intended use, and the user assumes all responsibility and risk in connection therewith.

**PROPRIETARY AND CONFIDENTIAL**  
 THE INFORMATION CONTAINED IN THIS DRAWING IS THE SOLE PROPERTY OF ID DESIGNS. ANY REPRODUCTION IN PART OR AS A WHOLE WITHOUT THE WRITTEN PERMISSION OF ID DESIGNS IS PROHIBITED.

**ID DESIGNS**

43095 BLACK DEER LOOP  
 TEMECULA, CA 92590  
 PH.760.727.9900  
 E MAIL INFO@IDDESIGNS.NET

TITLE: GEN 2 FRONT HUB  
 ASSEM, TROPHY TRUCK, 6  
 ON 6.5, 2.375/2.00 SNOUT

SIZE	PART NO.	REV
C	IDD 01-4200	

SCALE: 1:1 WEIGHT: SHEET 1 OF 12

4

3

2

1

4

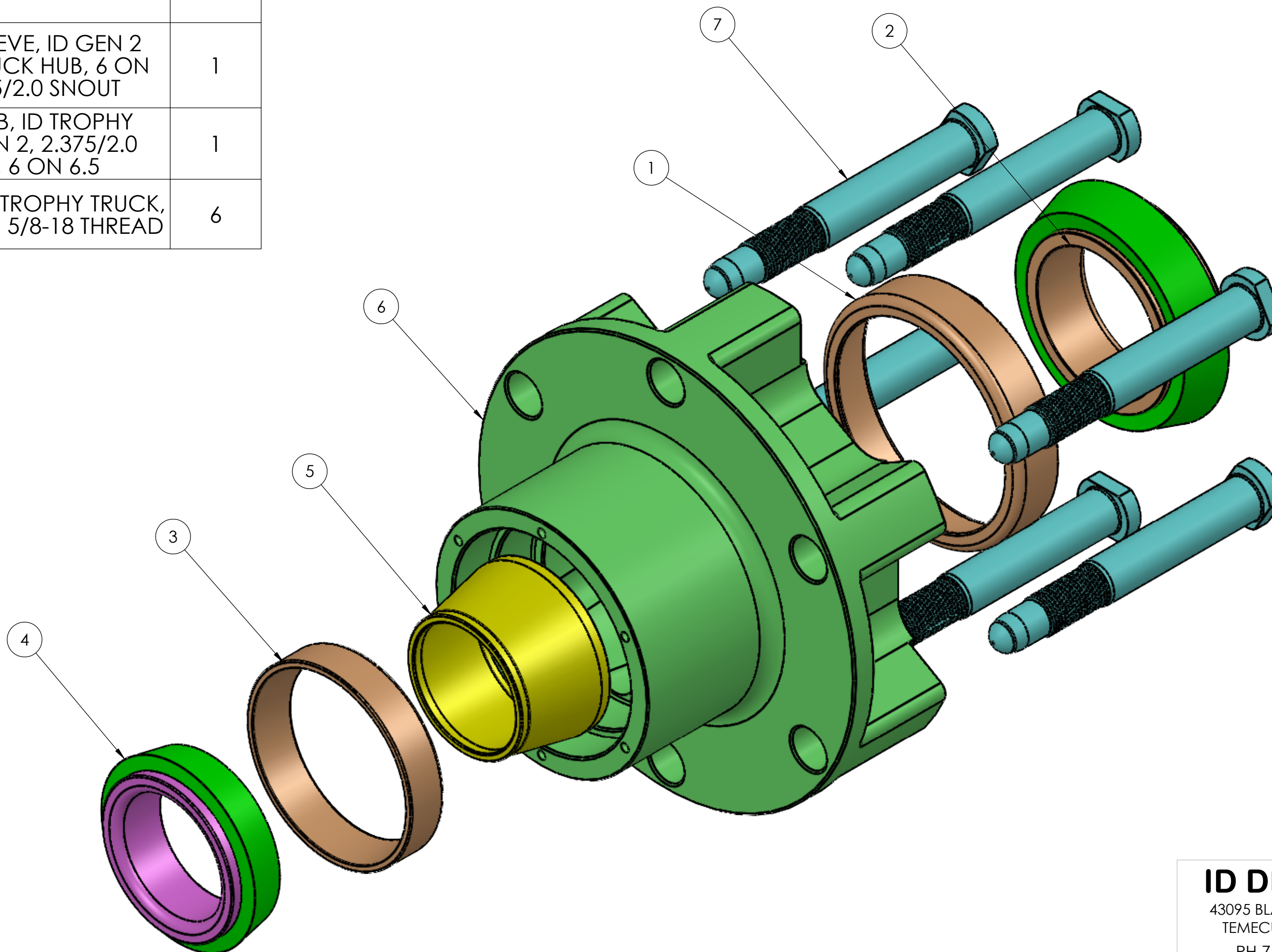
3

2

1

ITEM NO.	PART NUMBER	DESCRIPTION	QTY.
1	BEARING 28921	28921 BEARING CUP	1
2	BEARING 28985	28985 BEARING CONE	1
3	BEARING TIM104911	104911 BEARING CUP	1
4	BEARING TIM104949	104949 BEARING CONE	1
5	IDD 01-4104	CRUSH SLEEVE, ID GEN 2 TROPHY TRUCK HUB, 6 ON 6.5, 2.375/2.0 SNOUT	1
6	IDD 01-4201	FRONT HUB, ID TROPHY TRUCK GEN 2, 2.375/2.0 SNOUT, 6 ON 6.5	1
7	WHEEL STUD TT	WHEEL STUD, TROPHY TRUCK, .6875 SHANK, 5/8-18 THREAD	6

**HUB ASSEMBLY COMES WITH PRELOAD SET**



**ID DESIGNS**  
 43095 BLACK DEER LOOP  
 TEMECULA, CA 92590  
 PH.760.727.9900  
 E MAIL INFO@IDDESIGNS.NET  
 TITLE:  
**ID DESIGNS GEN 2 TT  
 FRONT HUB ASSEMBLY**

PROPRIETARY AND CONFIDENTIAL  
 THE INFORMATION CONTAINED IN THIS  
 DRAWING IS THE SOLE PROPERTY OF  
 ID DESIGNS. ANY REPRODUCTION IN  
 PART OR AS A WHOLE WITHOUT THE  
 WRITTEN PERMISSION OF ID DESIGNS  
 IS PROHIBITED.

SIZE	PART NO.	REV
<b>C</b>	IDD 01-4200	
SCALE: 1:1	WEIGHT:	SHEET 2 OF 12

4

3

2

1

4

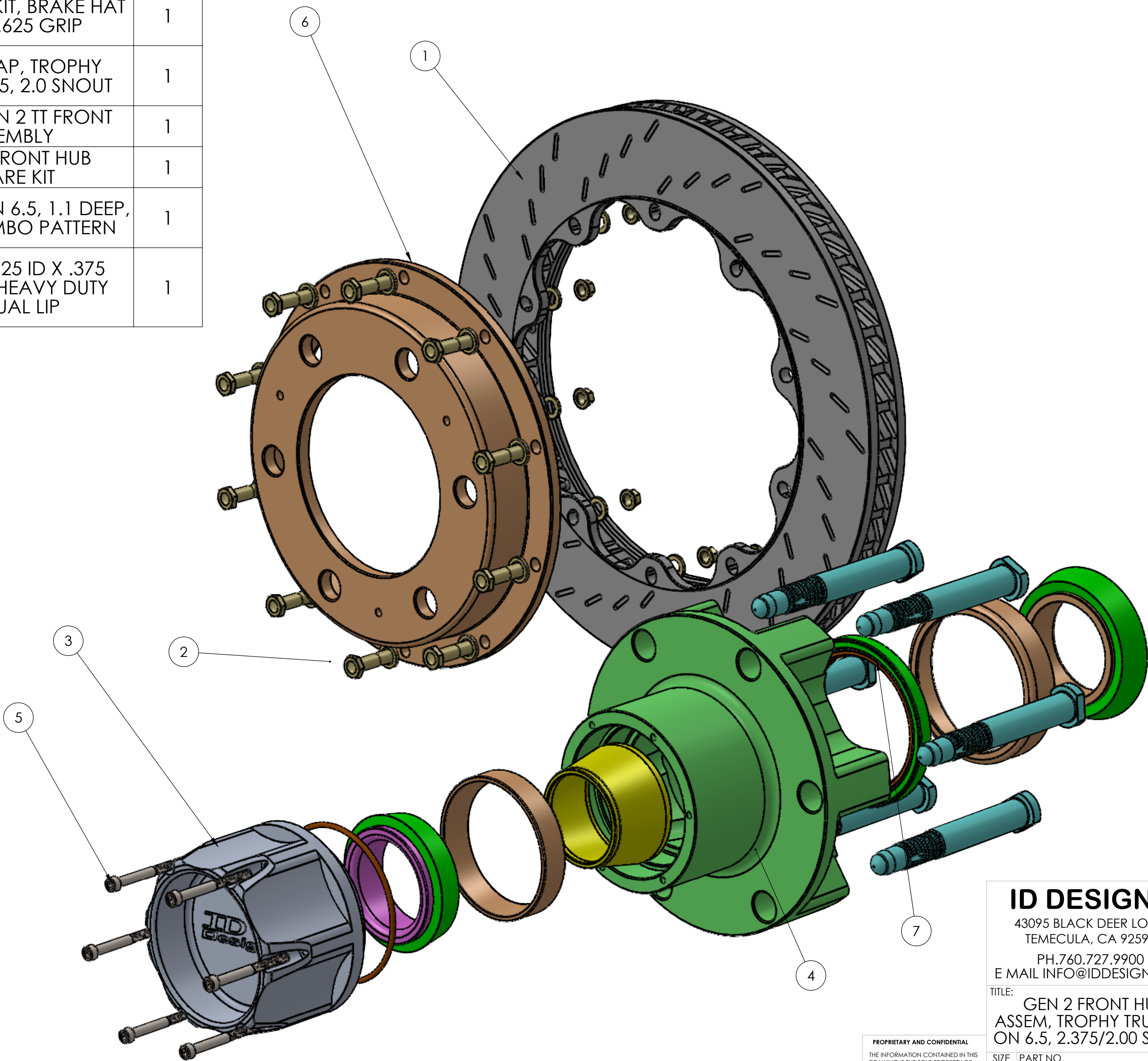
3

2

1

ITEM NO.	PART NUMBER	DESCRIPTION	QTY.
1	BREMBO 09A0261323	ROTOR,IRON, 355MM X 32MM, 10 BOLT, 233MM PATTERN	1
2	HRD RMK 5-24-10	ROTOR MOUNT KIT, BRAKE HAT TO ROTOR, .625 GRIP	1
3	IDD 01-4002	FRONT HUB CAP, TROPHY TRUCK, 6 ON 6.5, 2.0 SNOUT	1
4	IDD 01-4201-A	ID DESIGNS GEN 2 TT FRONT HUB ASSEMBLY	1
5	IDD 01-4212	ID GEN 2 TT FRONT HUB HARDWARE KIT	1
6	IDD 06-1006	BRAKE HAT, 6 ON 6.5, 1.1 DEEP, 10 on 10.1 BREMBO PATTERN	1
7	SEAL 31152	4.003 OD X 3.125 ID X .375 THICK, VITON, HEAVY DUTY CAGE, DUAL LIP	1

ROTOR, BRAKE HAT, AND ROTOR HARDWARE NOT INCLUDED IN PACKAGE



**ID DESIGNS**  
 43095 BLACK DEER LOOP  
 TEMECULA, CA 92590  
 PH.760.727.9900  
 E MAIL INFO@IDDESIGNS.NET

TITLE: GEN 2 FRONT HUB ASSEM, TROPHY TRUCK, 6 ON 6.5, 2.375/2.00 SNOUT

PROPRIETARY AND CONFIDENTIAL  
 THE INFORMATION CONTAINED IN THIS DRAWING IS THE SOLE PROPERTY OF ID DESIGNS. ANY REPRODUCTION IN PART OR AS A WHOLE WITHOUT THE WRITTEN PERMISSION OF ID DESIGNS IS PROHIBITED.

SIZE	PART NO.	REV
<b>C</b>	IDD 01-4200	

SCALE: 1:5 WEIGHT: SHEET 3 OF 12

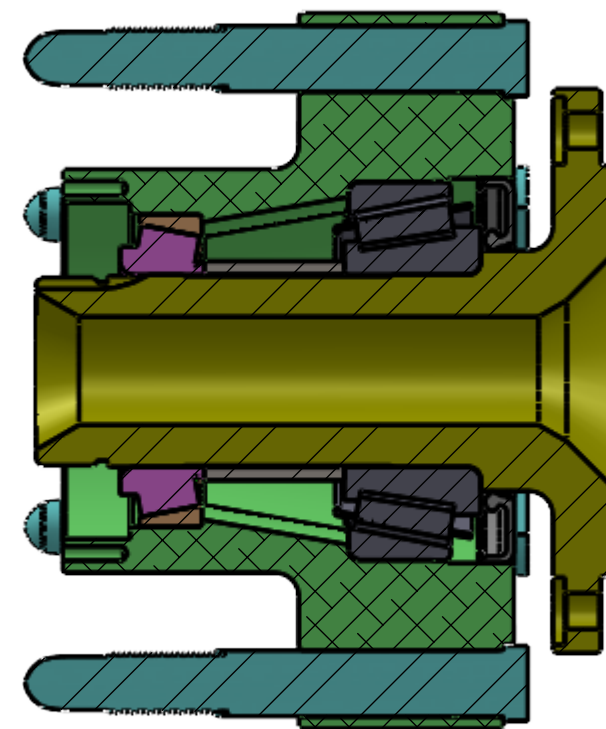
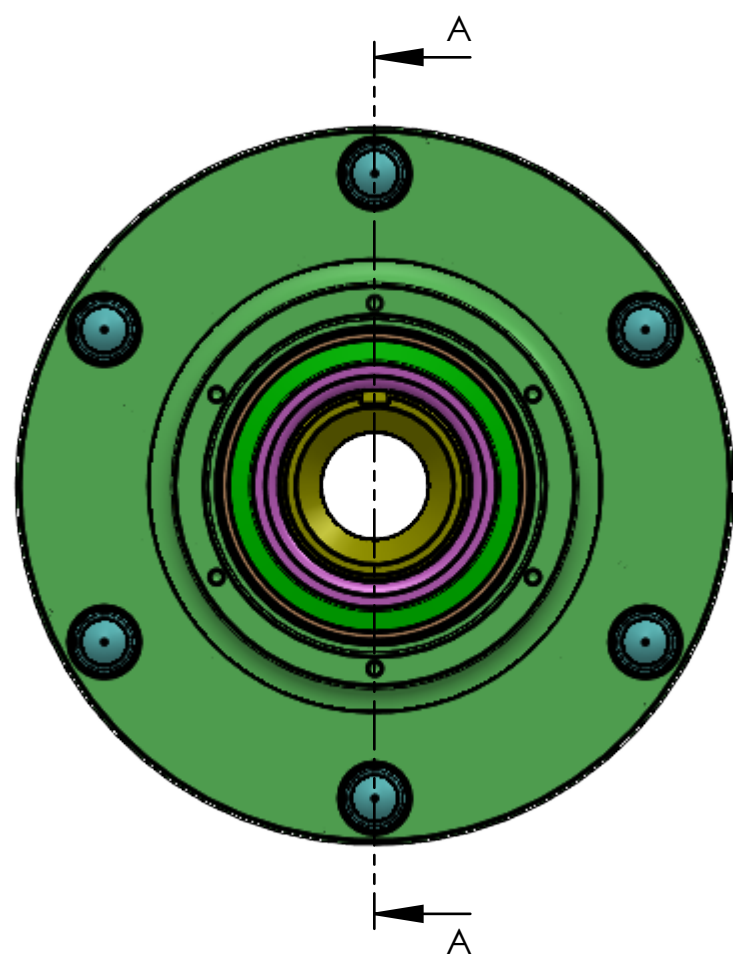
4

3

2

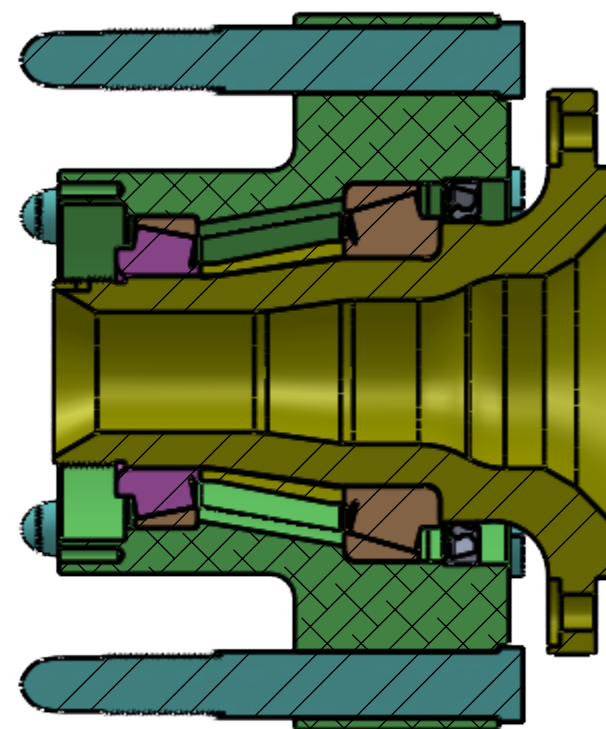
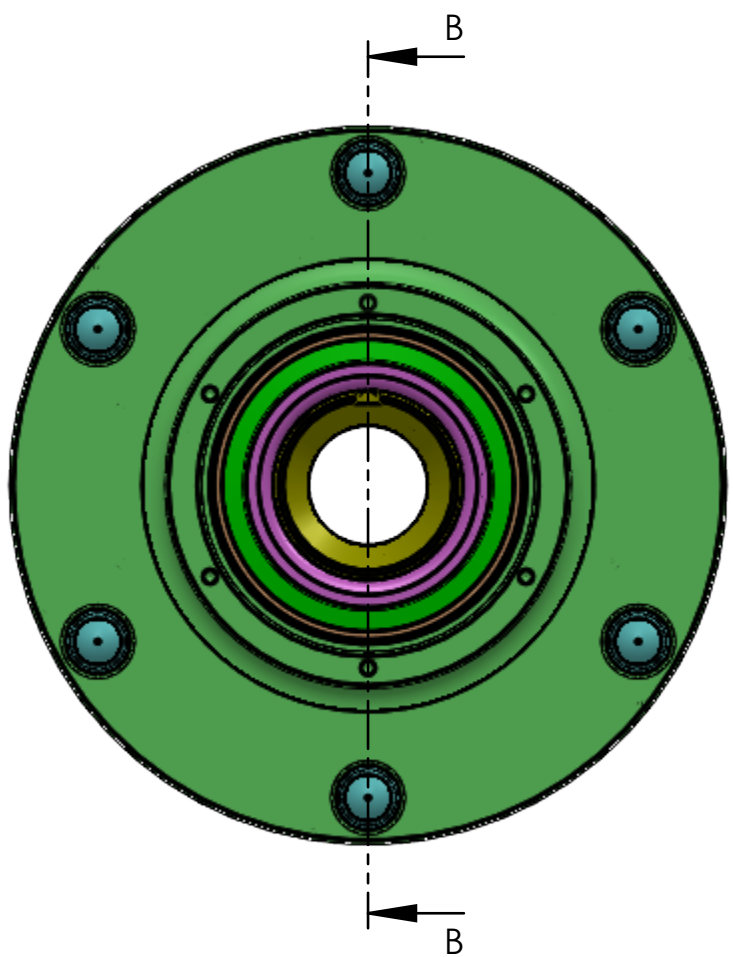
1

HUBS CAN BE USED WITH EITHER THE 2in OR 2.375/2.00in ID SNOOTS



2in ID SNOOT  
(IDD 01-5003)

SECTION A-A



2.375/2.00in ID SNOOT  
(IDD 01-5007)

SECTION B-B

**ID DESIGNS**

43095 BLACK DEER LOOP  
TEMECULA, CA 92590

PH.760.727.9900  
E MAIL INFO@IDDESIGNS.NET

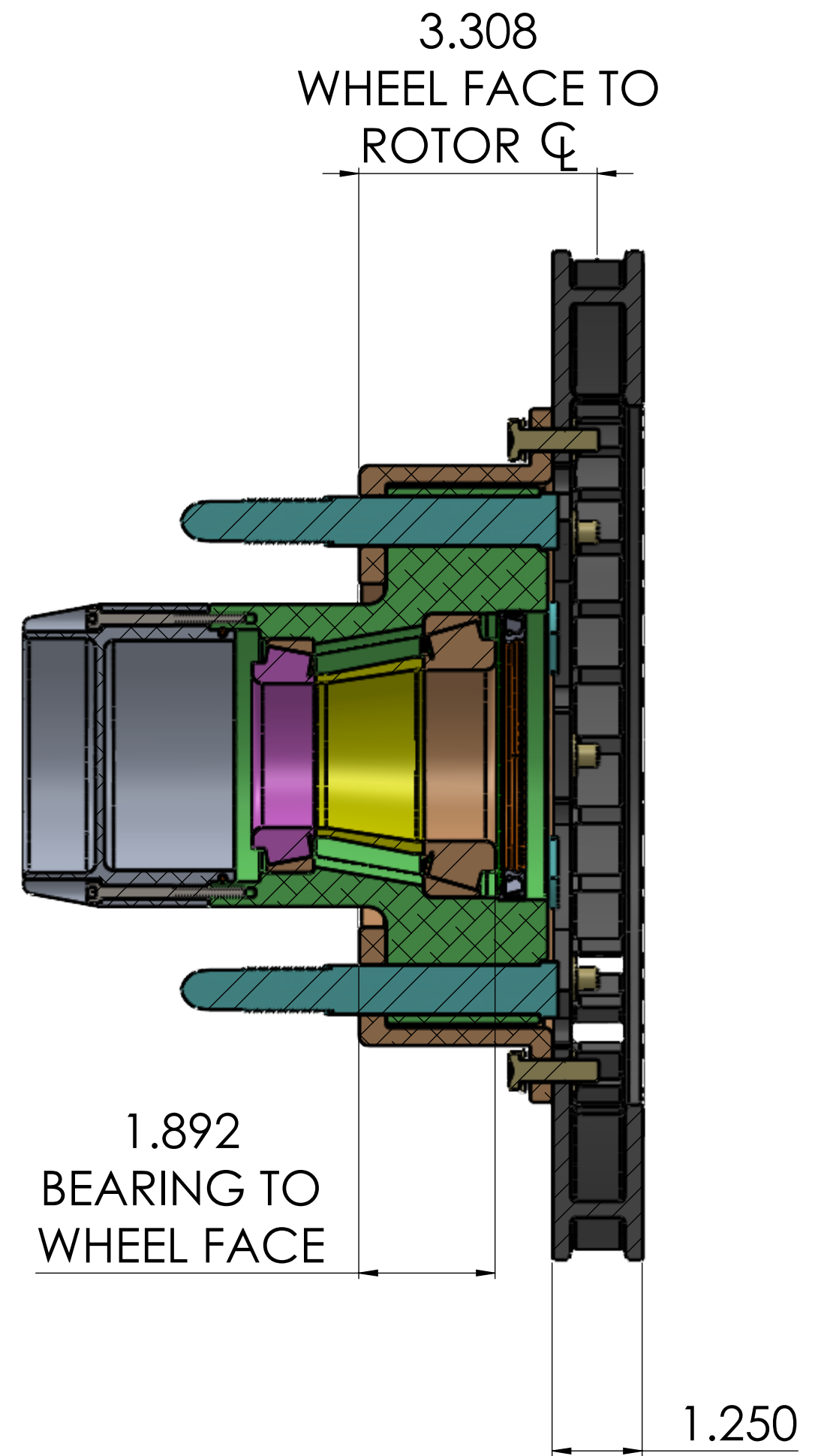
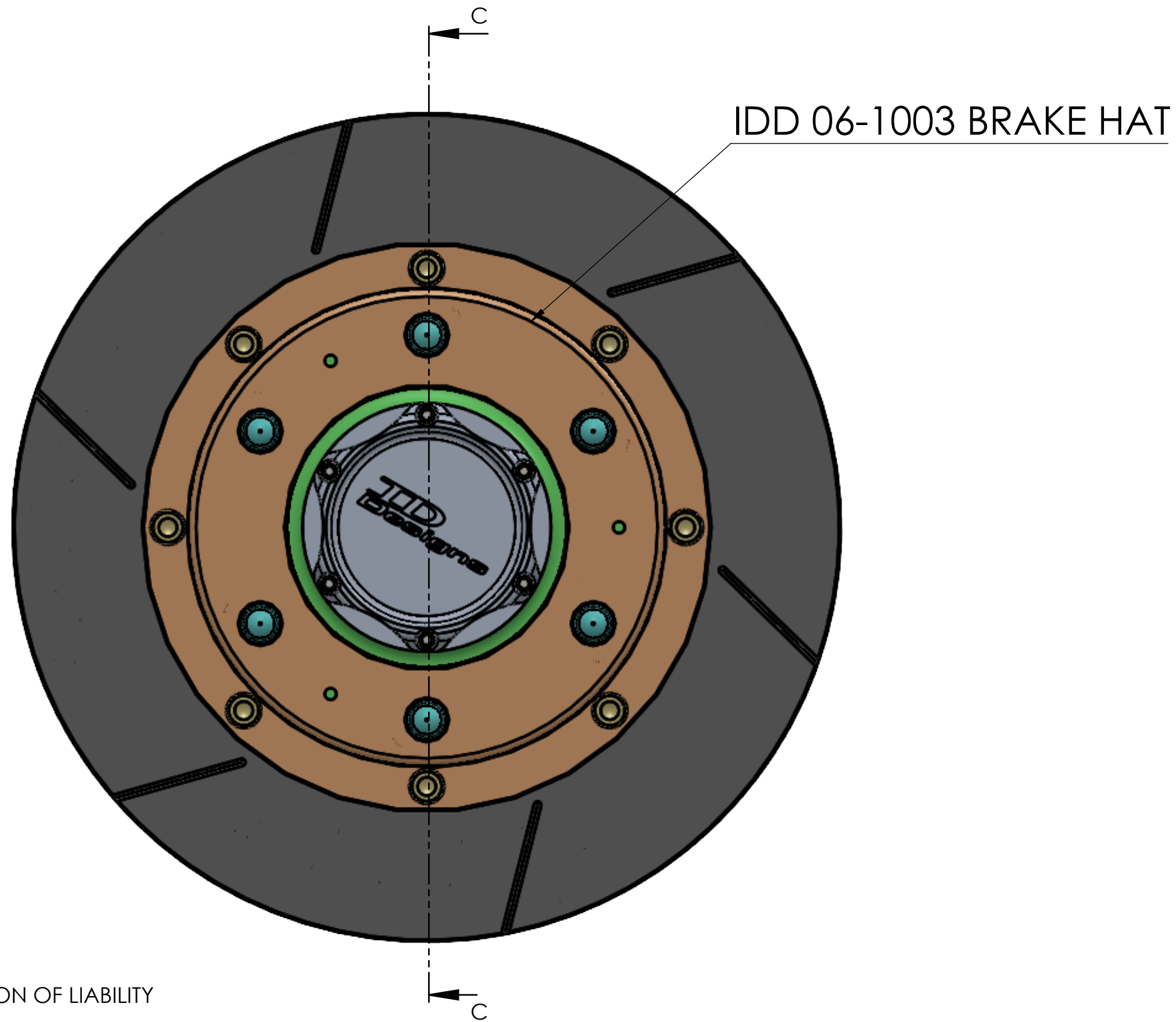
TITLE: GEN 2 FRONT HUB  
ASSEM, TROPHY TRUCK, 6  
ON 6.5, 2.375/2.00 SNOOT

PROPRIETARY AND CONFIDENTIAL  
THE INFORMATION CONTAINED IN THIS  
DRAWING IS THE SOLE PROPERTY OF  
ID DESIGNS. ANY REPRODUCTION IN  
PART OR AS A WHOLE WITHOUT THE  
WRITTEN PERMISSION OF ID DESIGNS  
IS PROHIBITED.

SIZE	PART NO.	REV
<b>C</b>	IDD 01-4200	

SCALE: 1:2 WEIGHT: SHEET 4 OF 12

ROTOR PART NUMBER	WHEEL FACE TO ROTOR $\varnothing$
COLEMAN 14 X 1.25 (SHOWN)	3.308
COLEMAN 14 X 1.125	3.246



SECTION C-C

DISCLAIMER OF WARRANTY AND LIMITATION OF LIABILITY

Due to the intended use of high performance products, ID Designs and each part thereof, are sold "AS IS" and with all faults. To the fullest extent allowed by law, ID Designs makes NO written, oral, expressed, or implied statement of warranty or guarantee on any product or part sold. ID Designs will not be liable for any direct, indirect, incidental, consequential, or special damages, including but not limited to, damage, injury, loss of life, loss of property or equipment, loss of profits or revenue, or claims from any individual or entity arising from the use of any ID Designs product.

RACING IS A DANGEROUS ACTIVITY AND PURCHASERS OF ID DESIGNS PRODUCTS ACKNOWLEDGE THE INHERENT RISKS ASSOCIATED. ID DESIGNS MAKES NO REPRESENTATIONS THAT ITS PRODUCTS CAN REDUCE OR ELIMINATE ANY SUCH RISK. ID DESIGNS products are NOT FOR STREET, HIGHWAY, OR AIRCRAFT USE and are intended ONLY for race vehicles operated on race tracks with appropriate supervision of qualified technicians or mechanics to ensure that the safety needs of the race driver and others are met. ID Designs products could be combined with other products or parts which may not be suitable and could adversely affect performance of other race parts or the vehicle. The user shall determine the ultimate suitability and safety of the product for its intended use, and the user assumes all responsibility and risk in connection therewith.

**PROPRIETARY AND CONFIDENTIAL**  
THE INFORMATION CONTAINED IN THIS DRAWING IS THE SOLE PROPERTY OF ID DESIGNS. ANY REPRODUCTION IN PART OR AS A WHOLE WITHOUT THE WRITTEN PERMISSION OF ID DESIGNS IS PROHIBITED.

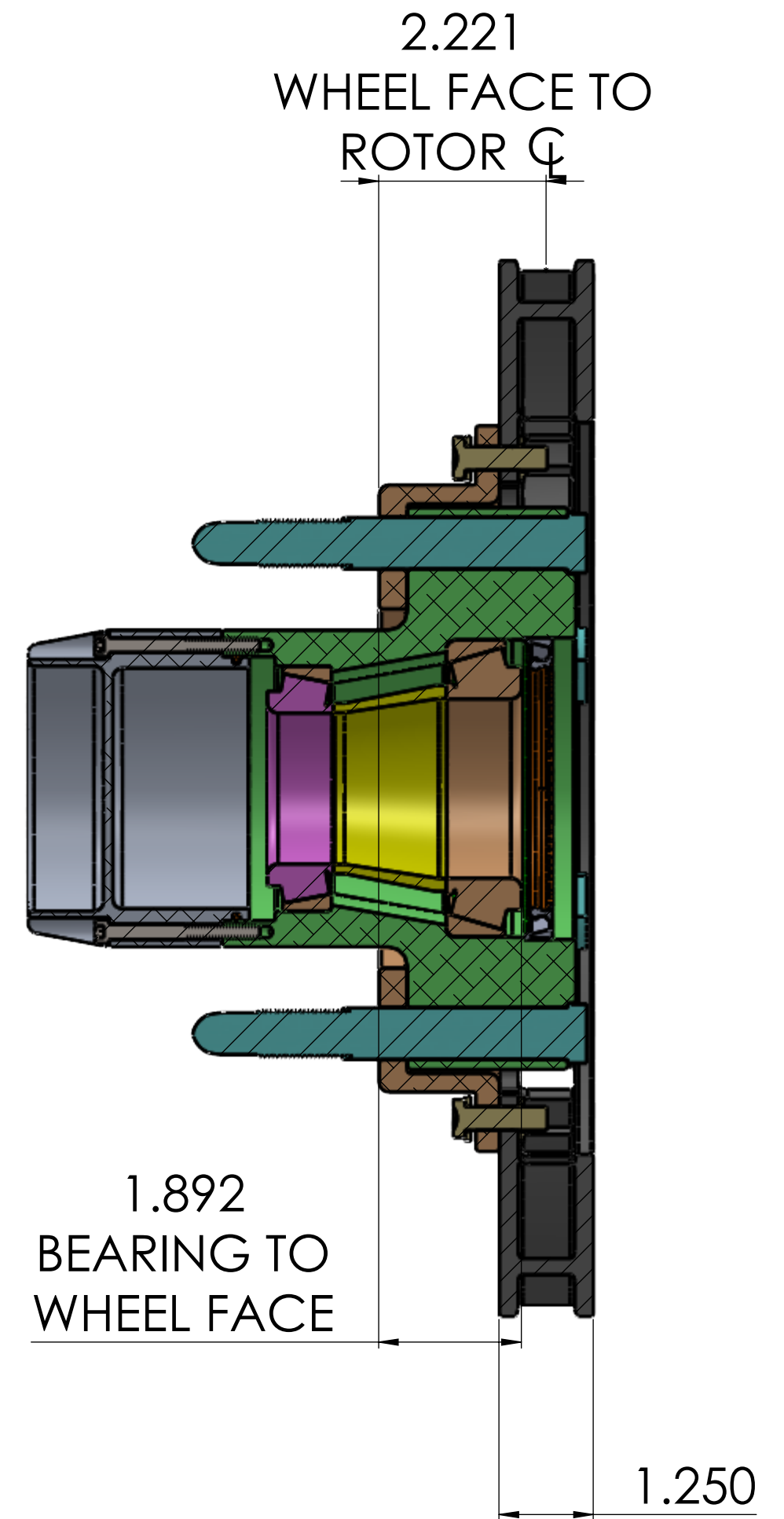
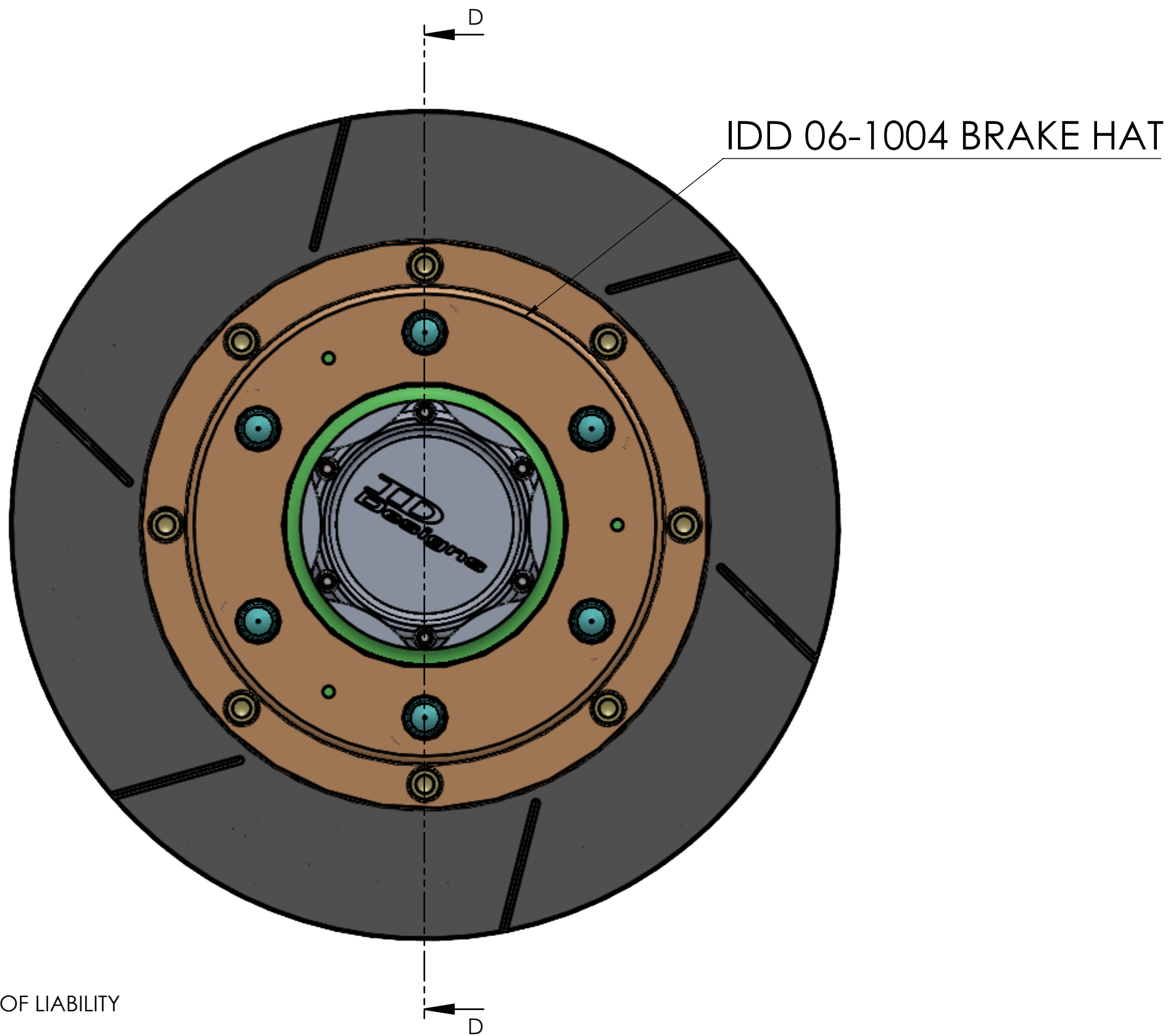
**ID DESIGNS**  
43095 BLACK DEER LOOP  
TEMECULA, CA 92590  
PH.760.727.9900  
E MAIL INFO@IDDESIGNS.NET

TITLE: GEN 2 FRONT HUB ASSEM, TROPHY TRUCK, 6 ON 6.5, 2.375/2.00 SNOUT

SIZE	PART NO.	REV
<b>C</b>	IDD 01-4200	

SCALE: 1:2 WEIGHT: SHEET 5 OF 12

ROTOR PART NUMBER	WHEEL FACE TO ROTOR $\varnothing$
COLEMAN 14 X 1.25 (SHOWN)	2.221
COLEMAN 14 X 1.125	2.159



**DISCLAIMER OF WARRANTY AND LIMITATION OF LIABILITY**

Due to the intended use of high performance products, ID Designs and each part thereof, are sold "AS IS" and with all faults. To the fullest extent allowed by law, ID Designs makes NO written, oral, expressed, or implied statement of warranty or guarantee on any product or part sold. ID Designs will not be liable for any direct, indirect, incidental, consequential, or special damages, including but not limited to, damage, injury, loss of life, loss of property or equipment, loss of profits or revenue, or claims from any individual or entity arising from the use of any ID Designs product.

RACING IS A DANGEROUS ACTIVITY AND PURCHASERS OF ID DESIGNS PRODUCTS ACKNOWLEDGE THE INHERENT RISKS ASSOCIATED. ID DESIGNS MAKES NO REPRESENTATIONS THAT ITS PRODUCTS CAN REDUCE OR ELIMINATE ANY SUCH RISK. ID DESIGNS products are NOT FOR STREET, HIGHWAY, OR AIRCRAFT USE and are intended ONLY for race vehicles operated on race tracks with appropriate supervision of qualified technicians or mechanics to ensure that the safety needs of the race driver and others are met. ID Designs products could be combined with other products or parts which may not be suitable and could adversely affect performance of other race parts or the vehicle. The user shall determine the ultimate suitability and safety of the product for its intended use, and the user assumes all responsibility and risk in connection therewith.

**PROPRIETARY AND CONFIDENTIAL**  
THE INFORMATION CONTAINED IN THIS DRAWING IS THE SOLE PROPERTY OF ID DESIGNS. ANY REPRODUCTION IN PART OR AS A WHOLE WITHOUT THE WRITTEN PERMISSION OF ID DESIGNS IS PROHIBITED.

**ID DESIGNS**  
43095 BLACK DEER LOOP  
TEMECULA, CA 92590  
PH.760.727.9900  
E MAIL INFO@IDDESIGNS.NET

TITLE: GEN 2 FRONT HUB ASSEM, TROPHY TRUCK, 6 ON 6.5, 2.375/2.00 SNOUT

SIZE	PART NO.	REV
<b>C</b>	IDD 01-4200	

SCALE: 1:2 WEIGHT: SHEET 6 OF 12

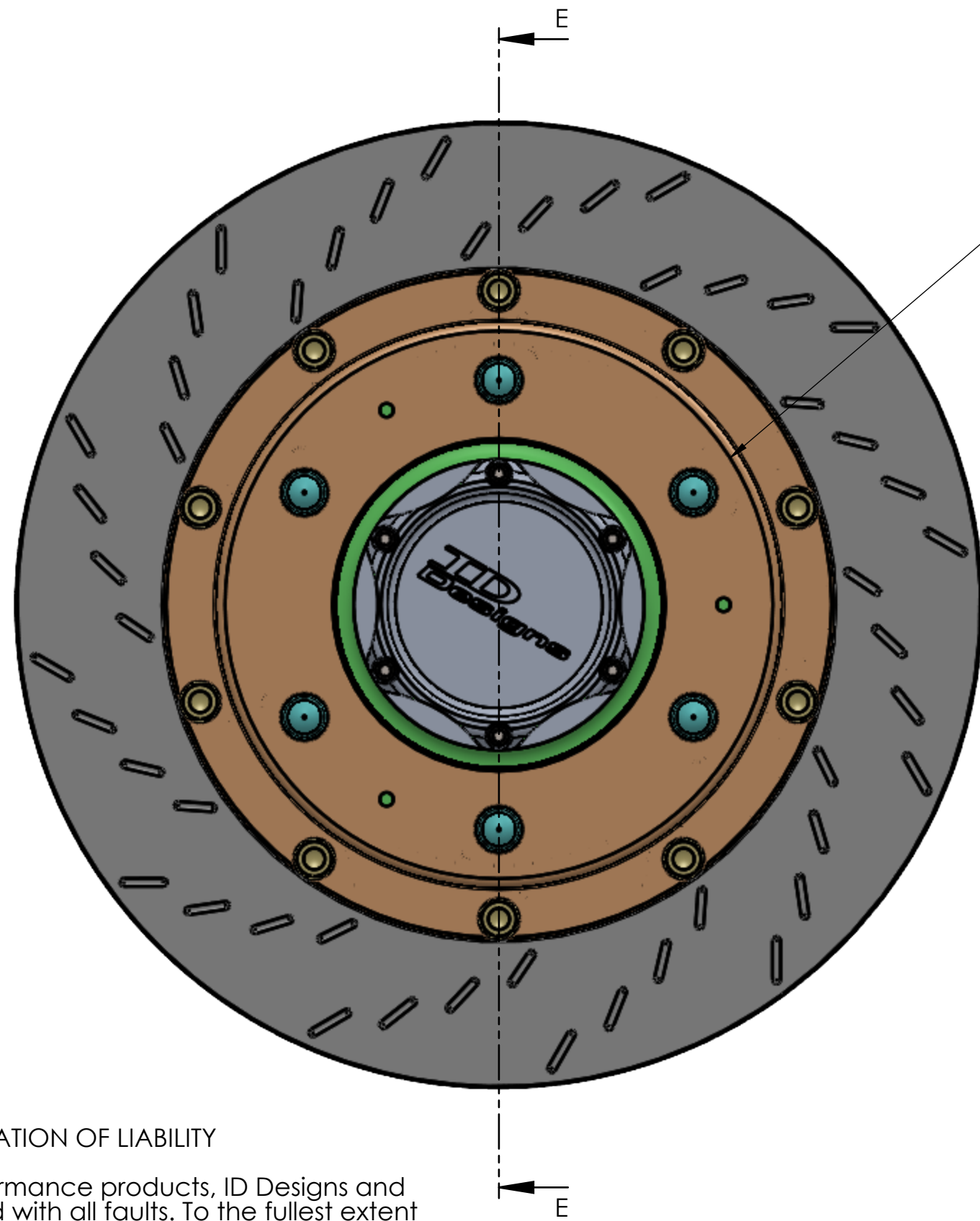
4

3

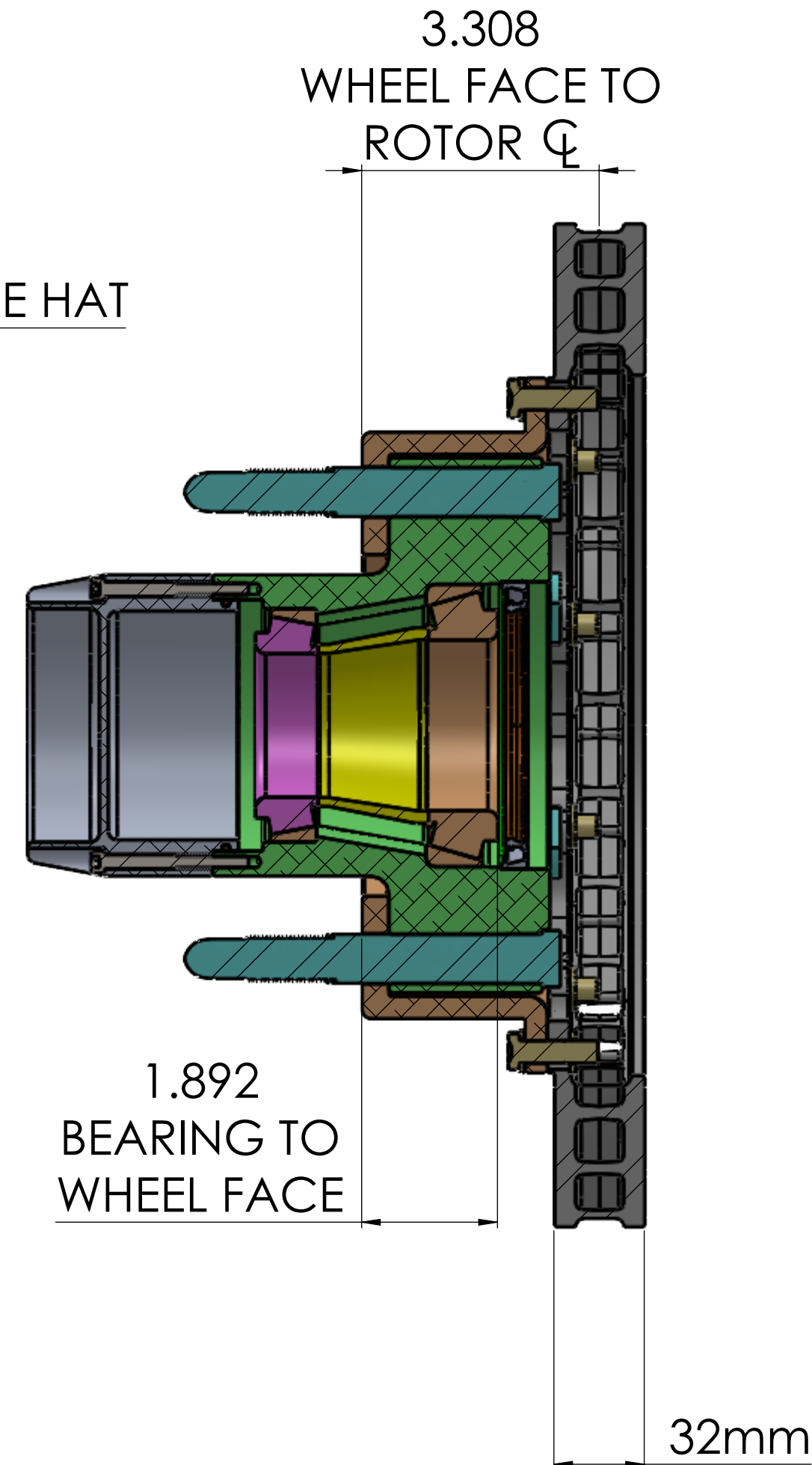
2

1

ROTOR PART NUMBER	ROTOR DIMENSIONS	WHEEL FACE TO ROTOR $\varnothing$
09779217/27	355mm X 32mm 48 VANE SPORTSMAN	3.308
09A02613/23 (SHOWN)	355mm X 32mm 48 VANE RACE	3.308
09575917/27	355mm X 28mm 48 VANE RACE	3.190



IDD 06-1005 BRAKE HAT



SECTION E-E

DISCLAIMER OF WARRANTY AND LIMITATION OF LIABILITY

Due to the intended use of high performance products, ID Designs and each part thereof, are sold "AS IS" and with all faults. To the fullest extent allowed by law, ID Designs makes NO written, oral, expressed, or implied statement of warranty or guarantee on any product or part sold. ID Designs will not be liable for any direct, indirect, incidental, consequential, or special damages, including but not limited to, damage, injury, loss of life, loss of property or equipment, loss of profits or revenue, or claims from any individual or entity arising from the use of any ID Designs product.

RACING IS A DANGEROUS ACTIVITY AND PURCHASERS OF ID DESIGNS PRODUCTS ACKNOWLEDGE THE INHERENT RISKS ASSOCIATED. ID DESIGNS MAKES NO REPRESENTATIONS THAT ITS PRODUCTS CAN REDUCE OR ELIMINATE ANY SUCH RISK. ID DESIGNS products are NOT FOR STREET, HIGHWAY, OR AIRCRAFT USE and are intended ONLY for race vehicles operated on race tracks with appropriate supervision of qualified technicians or mechanics to ensure that the safety needs of the race driver and others are met. ID Designs products could be combined with other products or parts which may not be suitable and could adversely affect performance of other race parts or the vehicle. The user shall determine the ultimate suitability and safety of the product for its intended use, and the user assumes all responsibility and risk in connection therewith.

**PROPRIETARY AND CONFIDENTIAL**  
 THE INFORMATION CONTAINED IN THIS DRAWING IS THE SOLE PROPERTY OF ID DESIGNS. ANY REPRODUCTION IN PART OR AS A WHOLE WITHOUT THE WRITTEN PERMISSION OF ID DESIGNS IS PROHIBITED.

**ID DESIGNS**  
 43095 BLACK DEER LOOP  
 TEMECULA, CA 92590  
 PH.760.727.9900  
 E MAIL INFO@IDDESIGNS.NET

TITLE: GEN 2 FRONT HUB ASSEM, TROPHY TRUCK, 6 ON 6.5, 2.375/2.00 SNOUT

SIZE	PART NO.	REV
<b>C</b>	IDD 01-4200	

SCALE: 1:2 WEIGHT: SHEET 7 OF 12

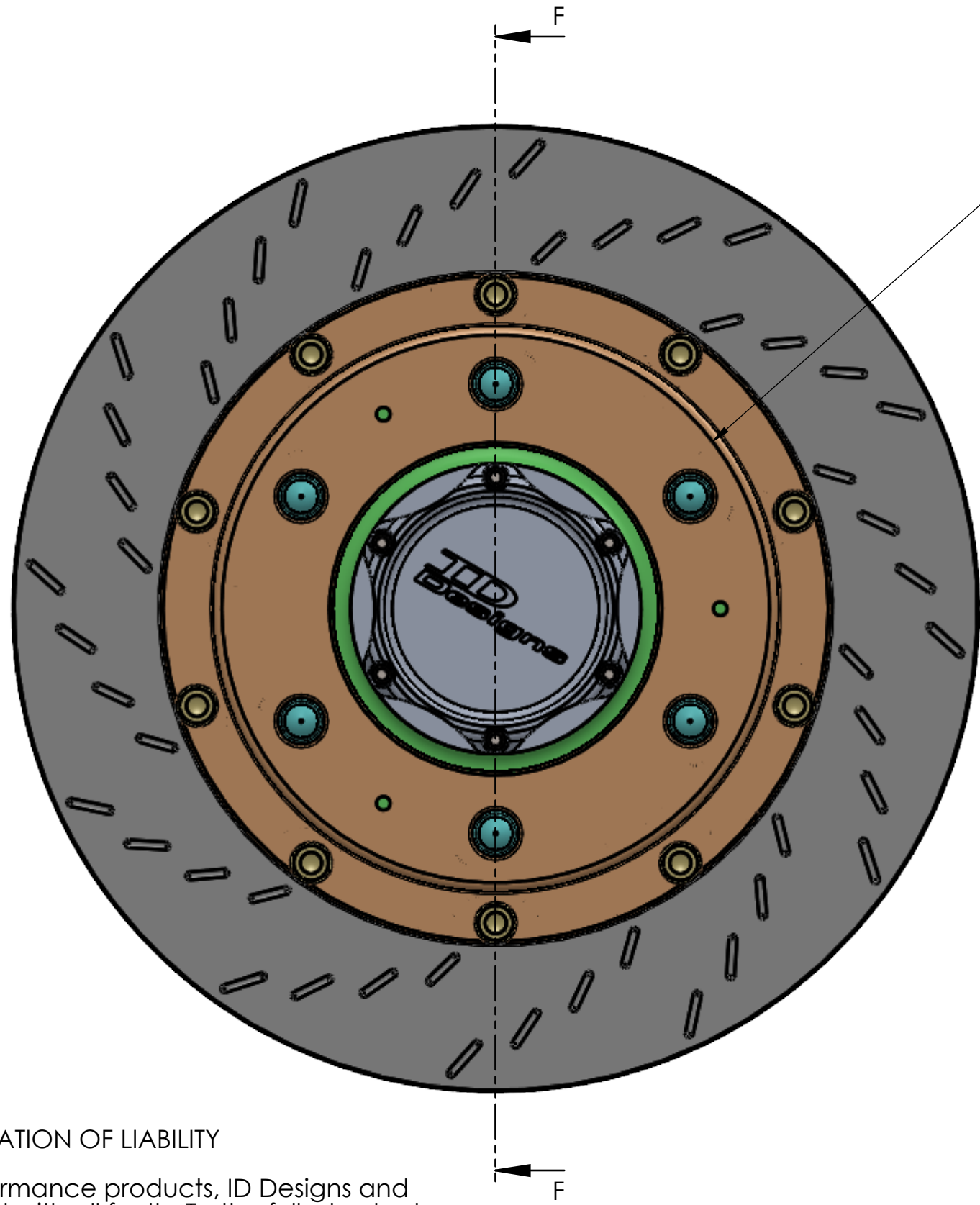
4

3

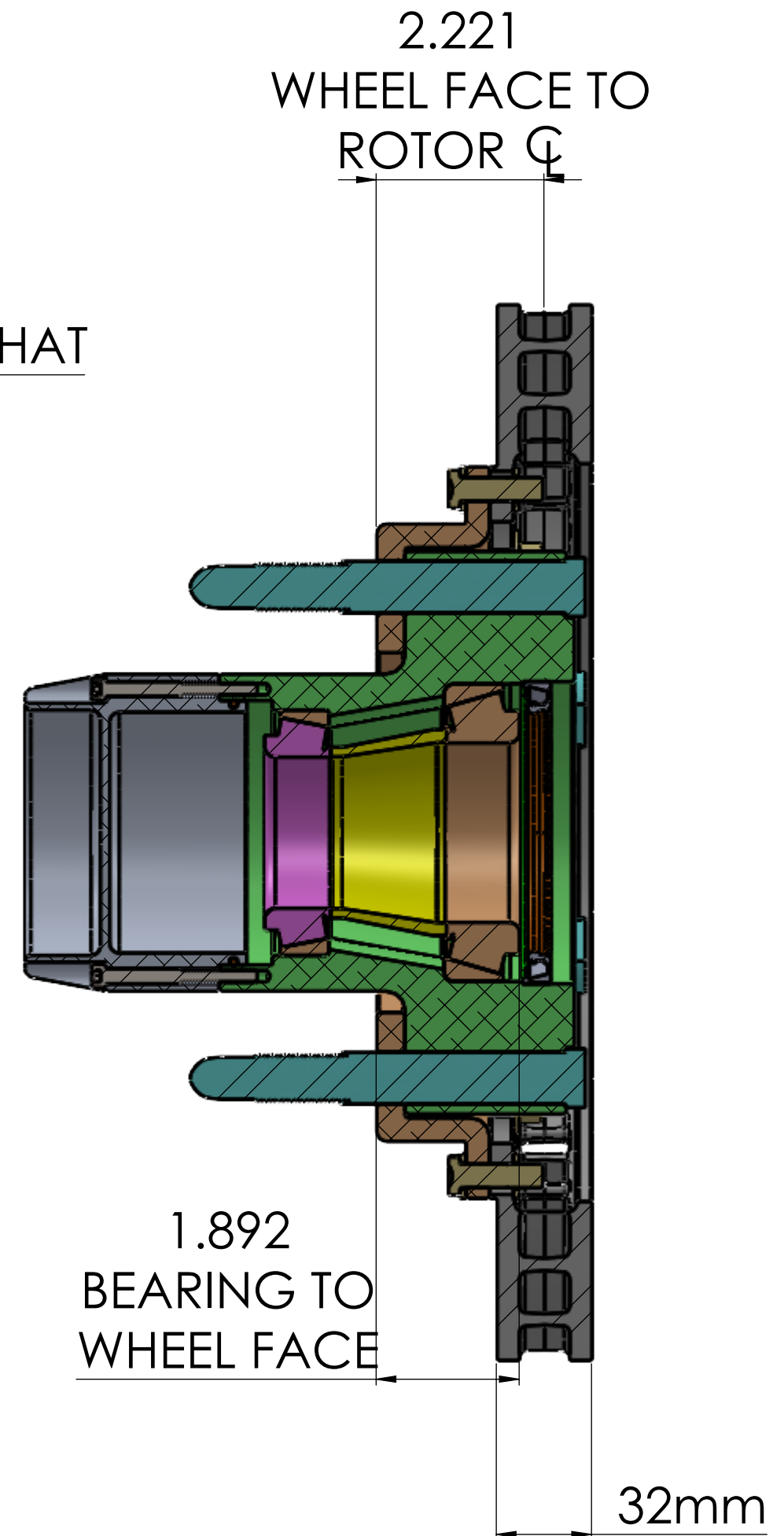
2

1

ROTOR PART NUMBER	ROTOR DIMENSIONS	WHEEL FACE TO ROTOR $\varnothing$
09779217/27	355mm X 32mm 48 VANE SPORTSMAN	2.221
09A02613/23 (SHOWN)	355mm X 32mm 48 VANE RACE	2.221
09575917/27	355mm X 28mm 48 VANE RACE	2.103



IDD 06-1006 BRAKE HAT



SECTION F-F

**DISCLAIMER OF WARRANTY AND LIMITATION OF LIABILITY**

Due to the intended use of high performance products, ID Designs and each part thereof, are sold "AS IS" and with all faults. To the fullest extent allowed by law, ID Designs makes NO written, oral, expressed, or implied statement of warranty or guarantee on any product or part sold. ID Designs will not be liable for any direct, indirect, incidental, consequential, or special damages, including but not limited to, damage, injury, loss of life, loss of property or equipment, loss of profits or revenue, or claims from any individual or entity arising from the use of any ID Designs product.

RACING IS A DANGEROUS ACTIVITY AND PURCHASERS OF ID DESIGNS PRODUCTS ACKNOWLEDGE THE INHERENT RISKS ASSOCIATED. ID DESIGNS MAKES NO REPRESENTATIONS THAT ITS PRODUCTS CAN REDUCE OR ELIMINATE ANY SUCH RISK. ID DESIGNS products are NOT FOR STREET, HIGHWAY, OR AIRCRAFT USE and are intended ONLY for race vehicles operated on race tracks with appropriate supervision of qualified technicians or mechanics to ensure that the safety needs of the race driver and others are met. ID Designs products could be combined with other products or parts which may not be suitable and could adversely affect performance of other race parts or the vehicle. The user shall determine the ultimate suitability and safety of the product for its intended use, and the user assumes all responsibility and risk in connection therewith.

**PROPRIETARY AND CONFIDENTIAL**  
 THE INFORMATION CONTAINED IN THIS DRAWING IS THE SOLE PROPERTY OF ID DESIGNS. ANY REPRODUCTION IN PART OR AS A WHOLE WITHOUT THE WRITTEN PERMISSION OF ID DESIGNS IS PROHIBITED.

**ID DESIGNS**  
 43095 BLACK DEER LOOP  
 TEMECULA, CA 92590  
 PH.760.727.9900  
 E MAIL INFO@IDDESIGNS.NET

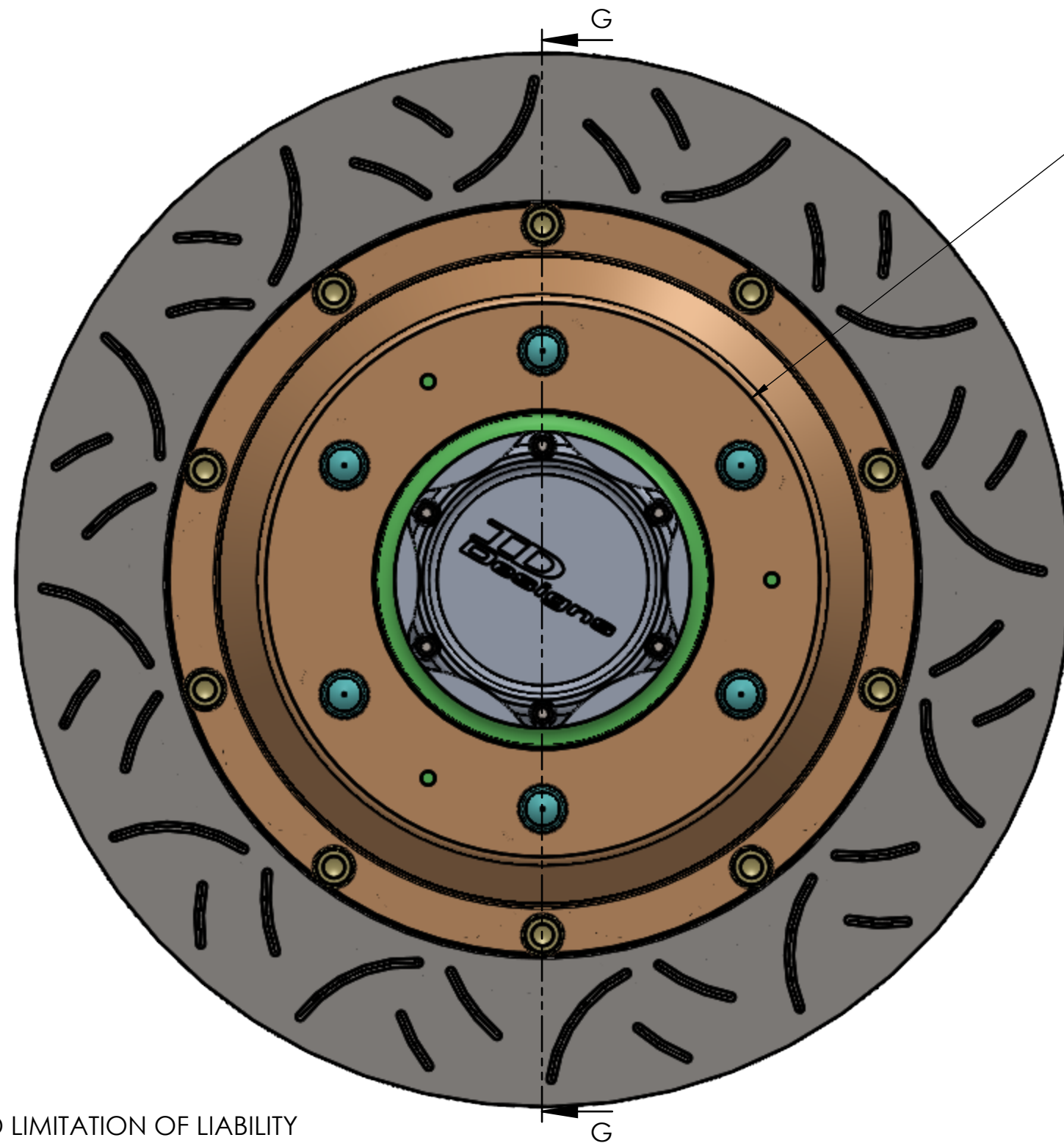
TITLE: GEN 2 FRONT HUB ASSEM, TROPHY TRUCK, 6 ON 6.5, 2.375/2.00 SNOUT

SIZE	PART NO.	REV
<b>C</b>	IDD 01-4200	

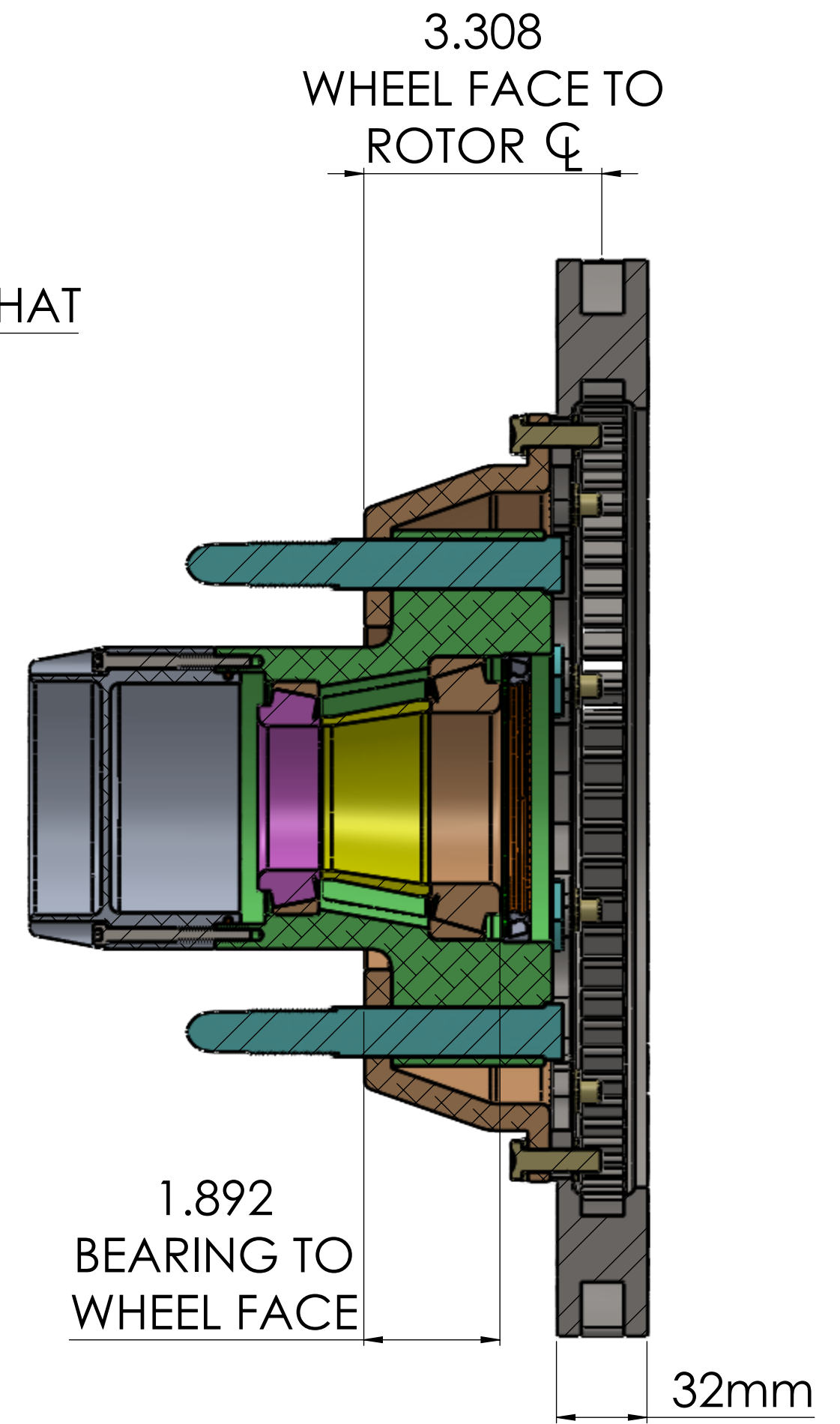
SCALE: 1:2 WEIGHT: SHEET 8 OF 12



**380mm X 32mm BREMBO ROTOR SHOWN  
09852874/84**



IDD 06-1008 BRAKE HAT



SECTION G-G

DISCLAIMER OF WARRANTY AND LIMITATION OF LIABILITY

Due to the intended use of high performance products, ID Designs and each part thereof, are sold "AS IS" and with all faults. To the fullest extent allowed by law, ID Designs makes NO written, oral, expressed, or implied statement of warranty or guarantee on any product or part sold. ID Designs will not be liable for any direct, indirect, incidental, consequential, or special damages, including but not limited to, damage, injury, loss of life, loss of property or equipment, loss of profits or revenue, or claims from any individual or entity arising from the use of any ID Designs product.

RACING IS A DANGEROUS ACTIVITY AND PURCHASERS OF ID DESIGNS PRODUCTS ACKNOWLEDGE THE INHERENT RISKS ASSOCIATED. ID DESIGNS MAKES NO REPRESENTATIONS THAT ITS PRODUCTS CAN REDUCE OR ELIMINATE ANY SUCH RISK. ID DESIGNS products are NOT FOR STREET, HIGHWAY, OR AIRCRAFT USE and are intended ONLY for race vehicles operated on race tracks with appropriate supervision of qualified technicians or mechanics to ensure that the safety needs of the race driver and others are met. ID Designs products could be combined with other products or parts which may not be suitable and could adversely affect performance of other race parts or the vehicle. The user shall determine the ultimate suitability and safety of the product for its intended use, and the user assumes all responsibility and risk in connection therewith.

**PROPRIETARY AND CONFIDENTIAL**  
THE INFORMATION CONTAINED IN THIS DRAWING IS THE SOLE PROPERTY OF ID DESIGNS. ANY REPRODUCTION IN PART OR AS A WHOLE WITHOUT THE WRITTEN PERMISSION OF ID DESIGNS IS PROHIBITED.

**ID DESIGNS**

43095 BLACK DEER LOOP  
TEMECULA, CA 92590

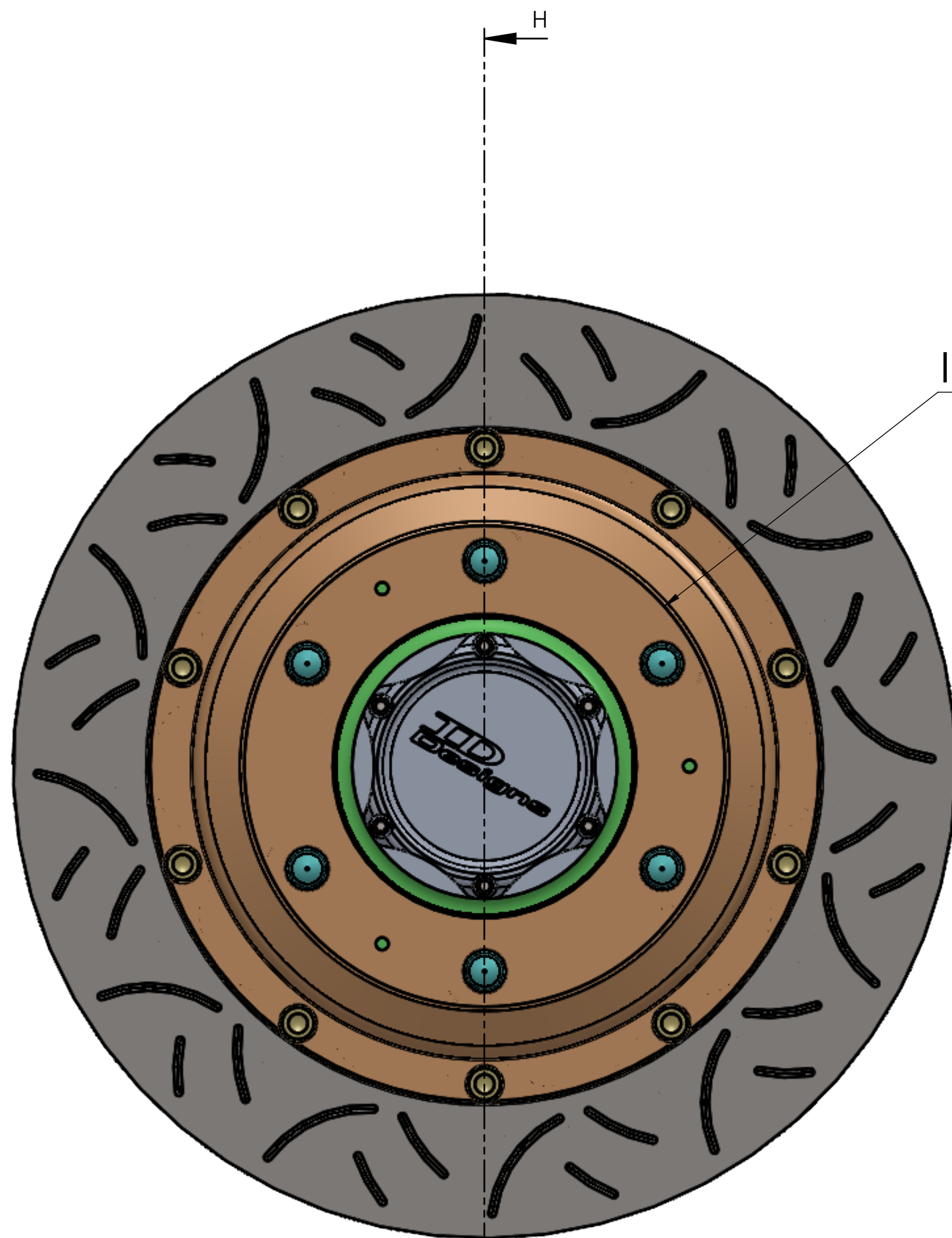
PH.760.727.9900  
E MAIL INFO@IDDESIGNS.NET

TITLE: GEN 2 FRONT HUB  
ASSEM, TROPHY TRUCK, 6  
ON 6.5, 2.375/2.00 SNOUT

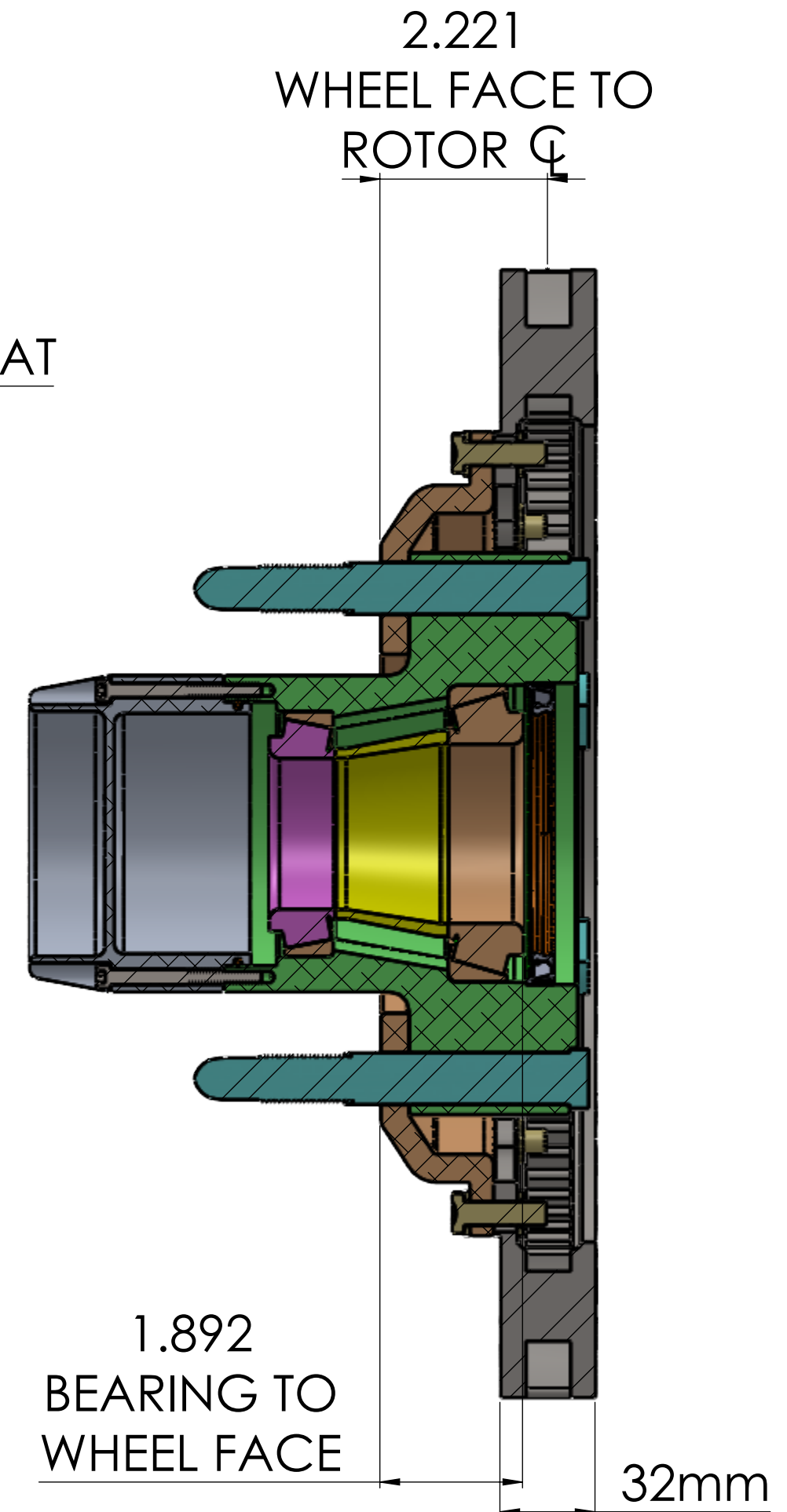
SIZE	PART NO.	REV
<b>C</b>	IDD 01-4200	

SCALE: 1:2 WEIGHT: SHEET 9 OF 12

**380mm X 32mm BREMBO ROTOR SHOWN  
09852874/84**



IDD 06-1009 BRAKE HAT



SECTION H-H

**DISCLAIMER OF WARRANTY AND LIMITATION OF LIABILITY**

Due to the intended use of high performance products, ID Designs and each part thereof, are sold "AS IS" and with all faults. To the fullest extent allowed by law, ID Designs makes NO written, oral, expressed, or implied statement of warranty or guarantee on any product or part sold. ID Designs will not be liable for any direct, indirect, incidental, consequential, or special damages, including but not limited to, damage, injury, loss of life, loss of property or equipment, loss of profits or revenue, or claims from any individual or entity arising from the use of any ID Designs product.

RACING IS A DANGEROUS ACTIVITY AND PURCHASERS OF ID DESIGNS PRODUCTS ACKNOWLEDGE THE INHERENT RISKS ASSOCIATED. ID DESIGNS MAKES NO REPRESENTATIONS THAT ITS PRODUCTS CAN REDUCE OR ELIMINATE ANY SUCH RISK. ID DESIGNS products are NOT FOR STREET, HIGHWAY, OR AIRCRAFT USE and are intended ONLY for race vehicles operated on race tracks with appropriate supervision of qualified technicians or mechanics to ensure that the safety needs of the race driver and others are met. ID Designs products could be combined with other products or parts which may not be suitable and could adversely affect performance of other race parts or the vehicle. The user shall determine the ultimate suitability and safety of the product for its intended use, and the user assumes all responsibility and risk in connection therewith.

**PROPRIETARY AND CONFIDENTIAL**  
THE INFORMATION CONTAINED IN THIS DRAWING IS THE SOLE PROPERTY OF ID DESIGNS. ANY REPRODUCTION IN PART OR AS A WHOLE WITHOUT THE WRITTEN PERMISSION OF ID DESIGNS IS PROHIBITED.

**ID DESIGNS**

43095 BLACK DEER LOOP  
TEMECULA, CA 92590

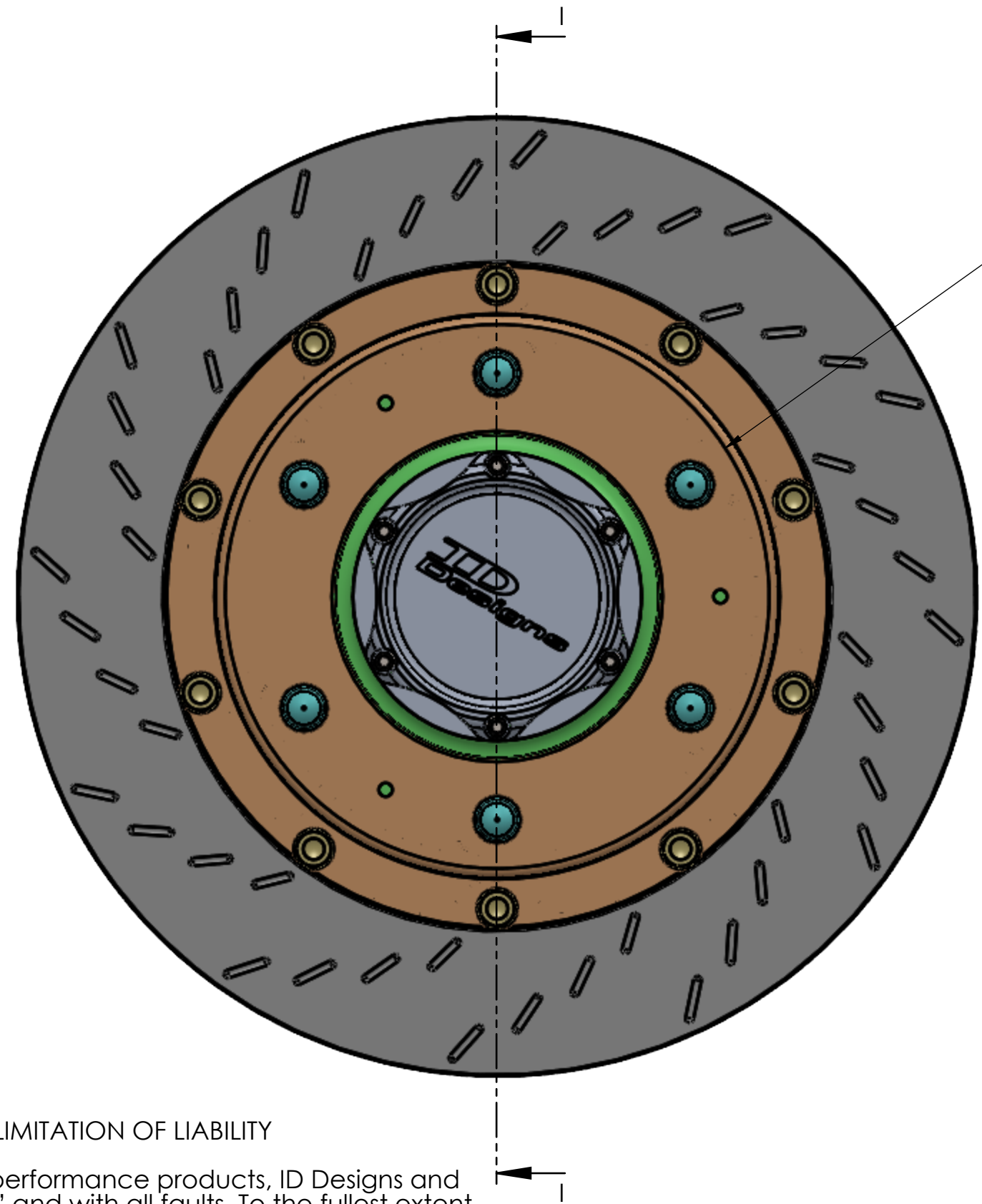
PH.760.727.9900  
E MAIL INFO@IDDESIGNS.NET

TITLE: GEN 2 FRONT HUB  
ASSEM, TROPHY TRUCK, 6  
ON 6.5, 2.375/2.00 SNOUT

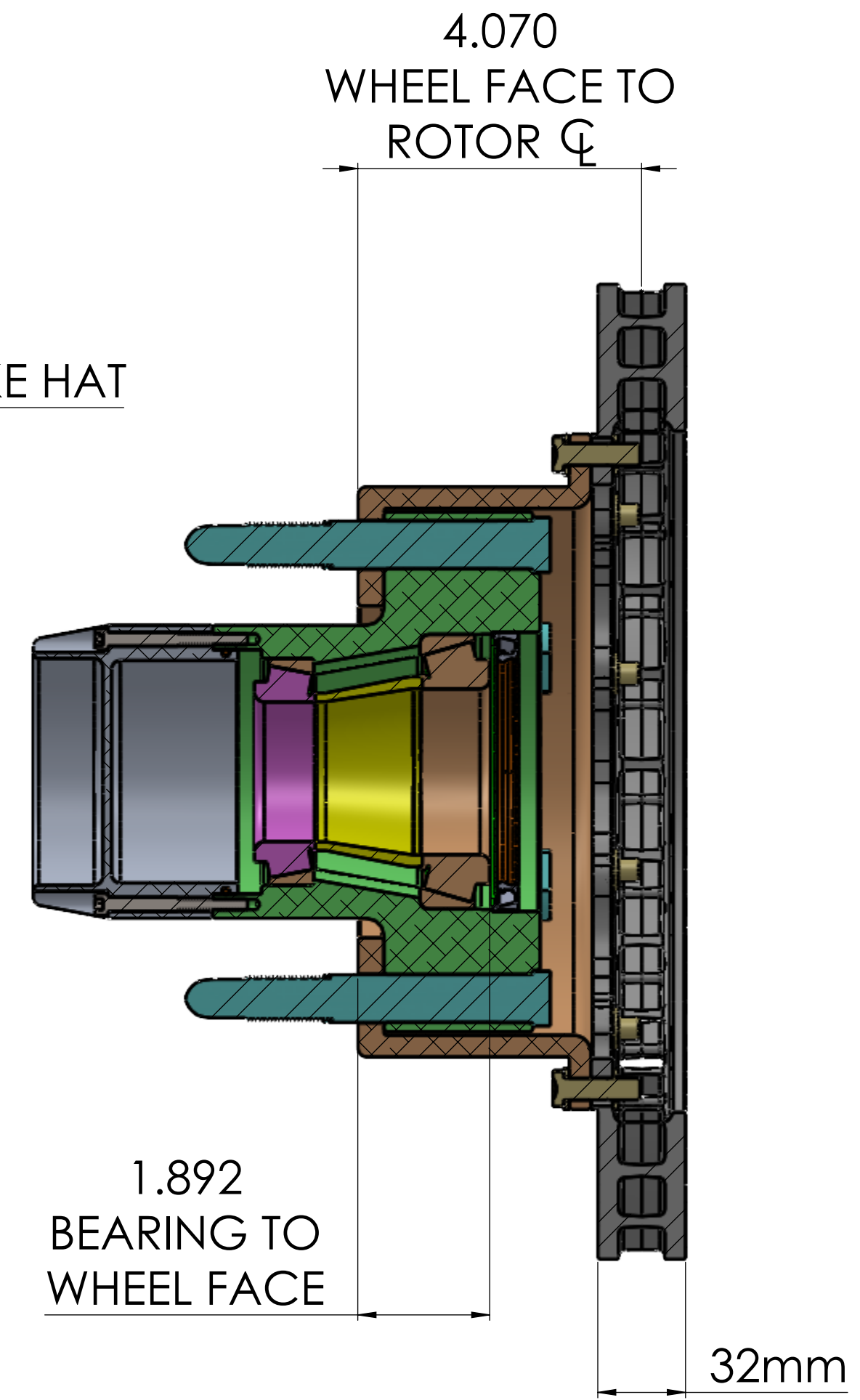
SIZE	PART NO.	REV
<b>C</b>	IDD 01-4200	

SCALE: 1:2 WEIGHT: SHEET 10 OF 12

ROTOR PART NUMBER	ROTOR DIMENSIONS	WHEEL FACE TO ROTOR $\varnothing$
09779217/27	355mm X 32mm 48 VANE SPORTSMAN	4.070
09A02613/23 (SHOWN)	355mm X 32mm 48 VANE RACE	4.070
09575917/27	355mm X 28mm 48 VANE RACE	3.952



IDD 06-1010 BRAKE HAT



SECTION I-I

DISCLAIMER OF WARRANTY AND LIMITATION OF LIABILITY

Due to the intended use of high performance products, ID Designs and each part thereof, are sold "AS IS" and with all faults. To the fullest extent allowed by law, ID Designs makes NO written, oral, expressed, or implied statement of warranty or guarantee on any product or part sold. ID Designs will not be liable for any direct, indirect, incidental, consequential, or special damages, including but not limited to, damage, injury, loss of life, loss of property or equipment, loss of profits or revenue, or claims from any individual or entity arising from the use of any ID Designs product.

RACING IS A DANGEROUS ACTIVITY AND PURCHASERS OF ID DESIGNS PRODUCTS ACKNOWLEDGE THE INHERENT RISKS ASSOCIATED. ID DESIGNS MAKES NO REPRESENTATIONS THAT ITS PRODUCTS CAN REDUCE OR ELIMINATE ANY SUCH RISK. ID DESIGNS products are NOT FOR STREET, HIGHWAY, OR AIRCRAFT USE and are intended ONLY for race vehicles operated on race tracks with appropriate supervision of qualified technicians or mechanics to ensure that the safety needs of the race driver and others are met. ID Designs products could be combined with other products or parts which may not be suitable and could adversely affect performance of other race parts or the vehicle. The user shall determine the ultimate suitability and safety of the product for its intended use, and the user assumes all responsibility and risk in connection therewith.

**ID DESIGNS**

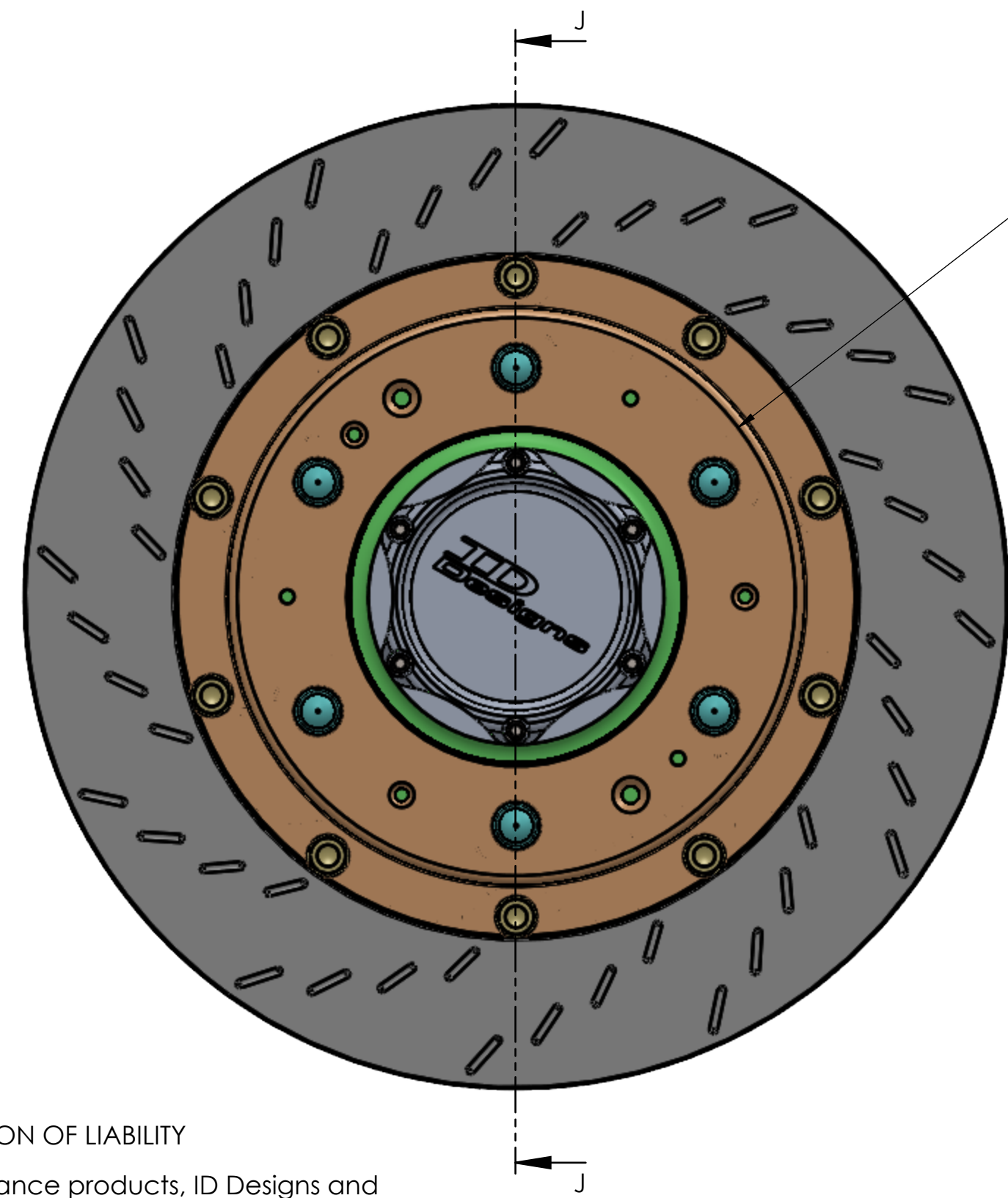
43095 BLACK DEER LOOP  
 TEMECULA, CA 92590  
 PH.760.727.9900  
 E MAIL INFO@IDDESIGNS.NET

TITLE: GEN 2 FRONT HUB ASSEM, TROPHY TRUCK, 6 ON 6.5, 2.375/2.00 SNOUT

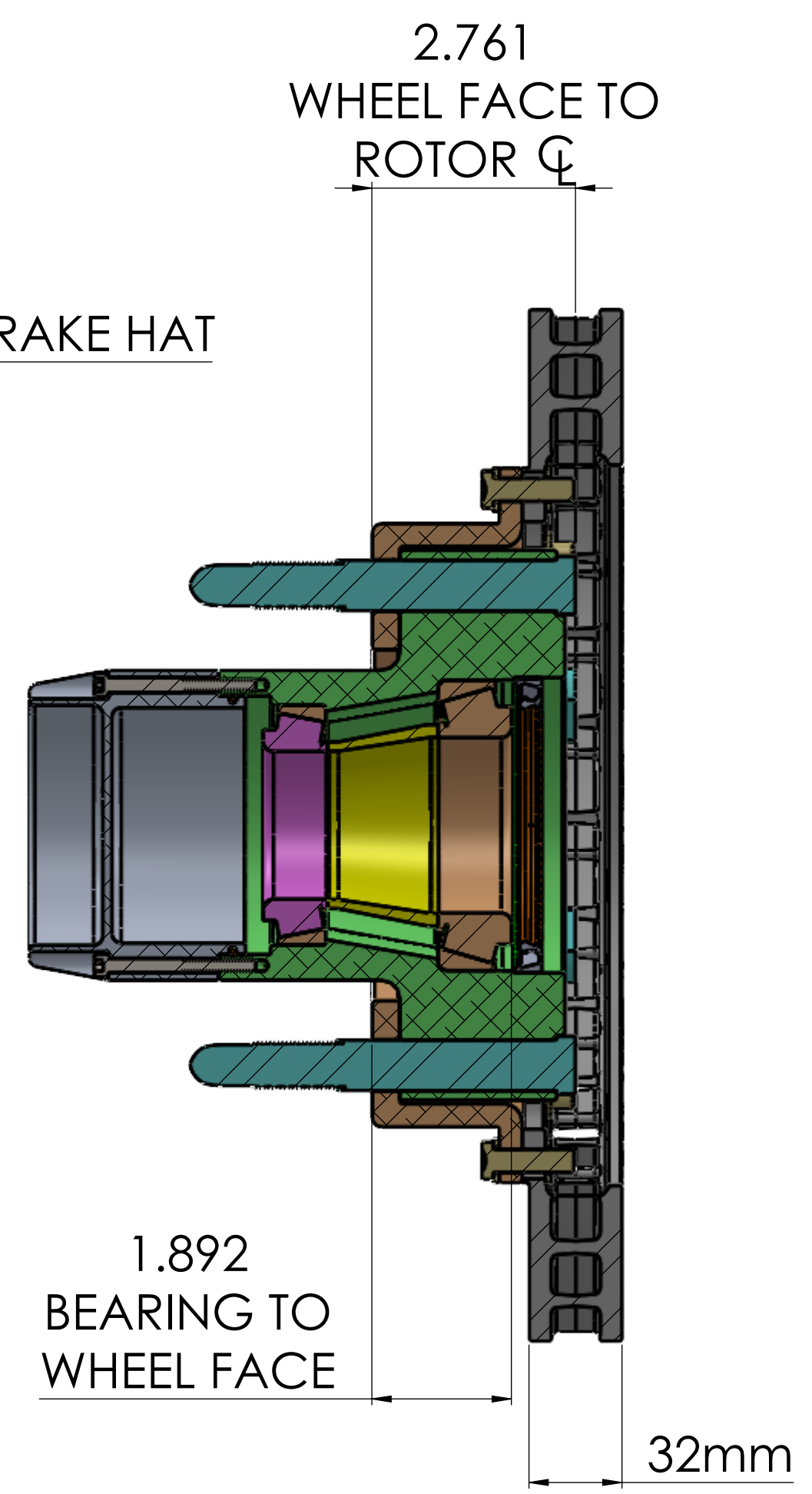
PROPRIETARY AND CONFIDENTIAL  
 THE INFORMATION CONTAINED IN THIS DRAWING IS THE SOLE PROPERTY OF ID DESIGNS. ANY REPRODUCTION IN PART OR AS A WHOLE WITHOUT THE WRITTEN PERMISSION OF ID DESIGNS IS PROHIBITED.

SIZE PART NO. REV  
**C** IDD 01-4200

ROTOR PART NUMBER	ROTOR DIMENSIONS	WHEEL FACE TO ROTOR $\varnothing$
09779217/27	355mm X 32mm 48 VANE SPORTSMAN	2.761
09A02613/23 (SHOWN)	355mm X 32mm 48 VANE RACE	2.761
09575917/27	355mm X 28mm 48 VANE RACE	2.643



IDD 06-1015 BRAKE HAT



SECTION J-J

DISCLAIMER OF WARRANTY AND LIMITATION OF LIABILITY

Due to the intended use of high performance products, ID Designs and each part thereof, are sold "AS IS" and with all faults. To the fullest extent allowed by law, ID Designs makes NO written, oral, expressed, or implied statement of warranty or guarantee on any product or part sold. ID Designs will not be liable for any direct, indirect, incidental, consequential, or special damages, including but not limited to, damage, injury, loss of life, loss of property or equipment, loss of profits or revenue, or claims from any individual or entity arising from the use of any ID Designs product.

RACING IS A DANGEROUS ACTIVITY AND PURCHASERS OF ID DESIGNS PRODUCTS ACKNOWLEDGE THE INHERENT RISKS ASSOCIATED. ID DESIGNS MAKES NO REPRESENTATIONS THAT ITS PRODUCTS CAN REDUCE OR ELIMINATE ANY SUCH RISK. ID DESIGNS products are NOT FOR STREET, HIGHWAY, OR AIRCRAFT USE and are intended ONLY for race vehicles operated on race tracks with appropriate supervision of qualified technicians or mechanics to ensure that the safety needs of the race driver and others are met. ID Designs products could be combined with other products or parts which may not be suitable and could adversely affect performance of other race parts or the vehicle. The user shall determine the ultimate suitability and safety of the product for its intended use, and the user assumes all responsibility and risk in connection therewith.

**PROPRIETARY AND CONFIDENTIAL**  
 THE INFORMATION CONTAINED IN THIS DRAWING IS THE SOLE PROPERTY OF ID DESIGNS. ANY REPRODUCTION IN PART OR AS A WHOLE WITHOUT THE WRITTEN PERMISSION OF ID DESIGNS IS PROHIBITED.

**ID DESIGNS**  
 43095 BLACK DEER LOOP  
 TEMECULA, CA 92590  
 PH.760.727.9900  
 E MAIL INFO@IDDESIGNS.NET

TITLE: GEN 2 FRONT HUB ASSEM, TROPHY TRUCK, 6 ON 6.5, 2.375/2.00 SNOUT

SIZE	PART NO.	REV
<b>C</b>	IDD 01-4200	

SCALE: 1:2 WEIGHT: SHEET 12 OF 12