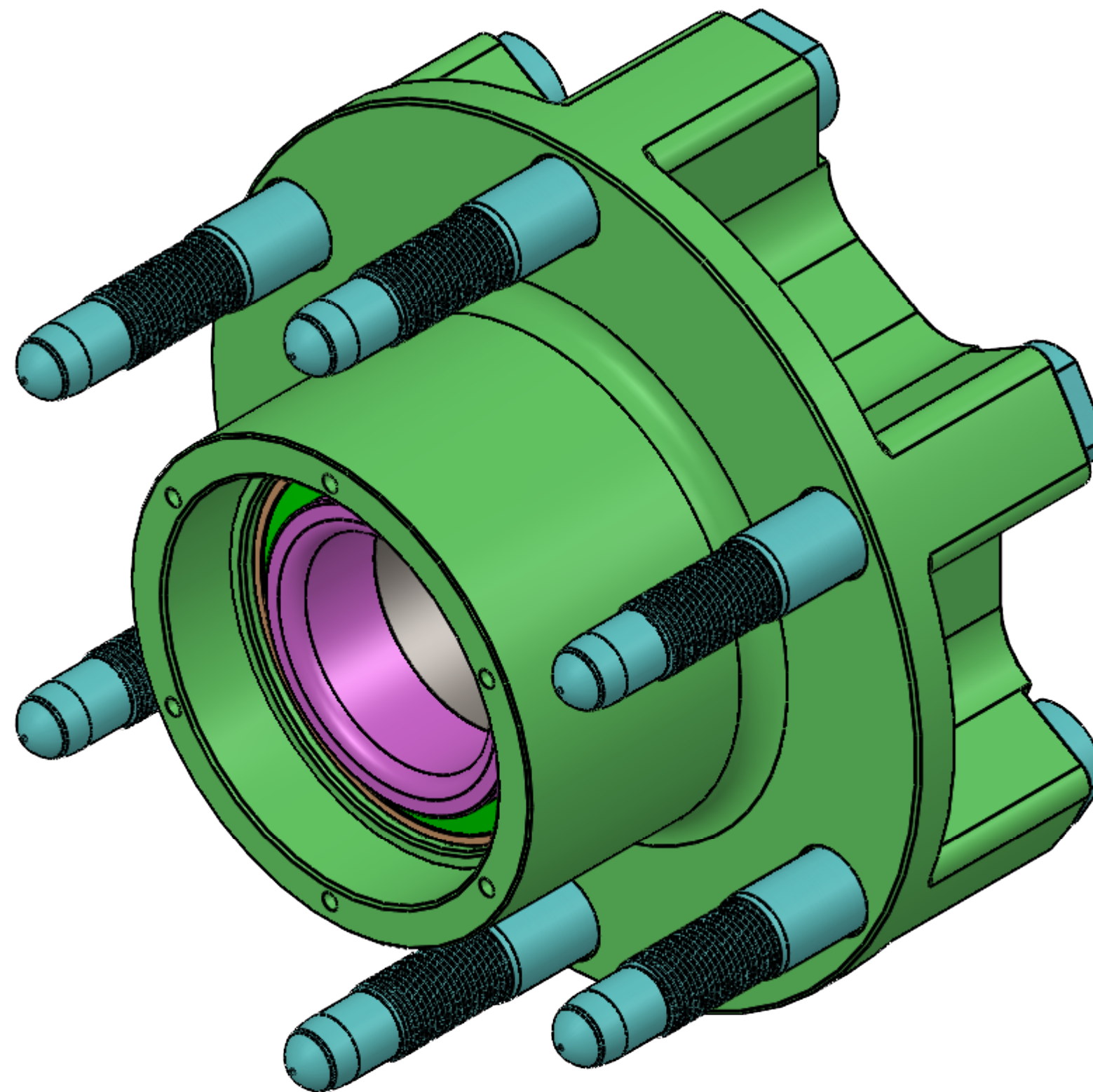


4

3

2

1



**DISCLAIMER OF WARRANTY AND LIMITATION OF LIABILITY**

Due to the intended use of high performance products, ID Designs and each part thereof, are sold "AS IS" and with all faults. To the fullest extent allowed by law, ID Designs makes NO written, oral, expressed, or implied statement of warranty or guarantee on any product or part sold. ID Designs will not be liable for any direct, indirect, incidental, consequential, or special damages, including but not limited to, damage, injury, loss of life, loss of property or equipment, loss of profits or revenue, or claims from any individual or entity arising from the use of any ID Designs product.

RACING IS A DANGEROUS ACTIVITY AND PURCHASERS OF ID DESIGNS PRODUCTS ACKNOWLEDGE THE INHERENT RISKS ASSOCIATED. ID DESIGNS MAKES NO REPRESENTATIONS THAT ITS PRODUCTS CAN REDUCE OR ELIMINATE ANY SUCH RISK. ID DESIGNS products are NOT FOR STREET, HIGHWAY, OR AIRCRAFT USE and are intended ONLY for race vehicles operated on race tracks with appropriate supervision of qualified technicians or mechanics to ensure that the safety needs of the race driver and others are met. ID Designs products could be combined with other products or parts which may not be suitable and could adversely affect performance of other race parts or the vehicle. The user shall determine the ultimate suitability and safety of the product for its intended use, and the user assumes all responsibility and risk in connection therewith.

**PROPRIETARY AND CONFIDENTIAL**  
 THE INFORMATION CONTAINED IN THIS DRAWING IS THE SOLE PROPERTY OF ID DESIGNS. ANY REPRODUCTION IN PART OR AS A WHOLE WITHOUT THE WRITTEN PERMISSION OF ID DESIGNS IS PROHIBITED.

**ID DESIGNS**

43095 BLACK DEER LOOP  
 TEMECULA, CA 92590  
 PH.760.727.9900  
 E MAIL INFO@IDDESIGNS.NET

TITLE:  
**ID DESIGNS GEN 2 TT  
 FRONT HUB ASSEMBLY**

SIZE	PART NO.	REV
<b>C</b>	IDD 01-4201-A	
SCALE: 1:1	WEIGHT:	SHEET 1 OF 3

4

3

2

1

D

D

C

C

B

B

A

A

4

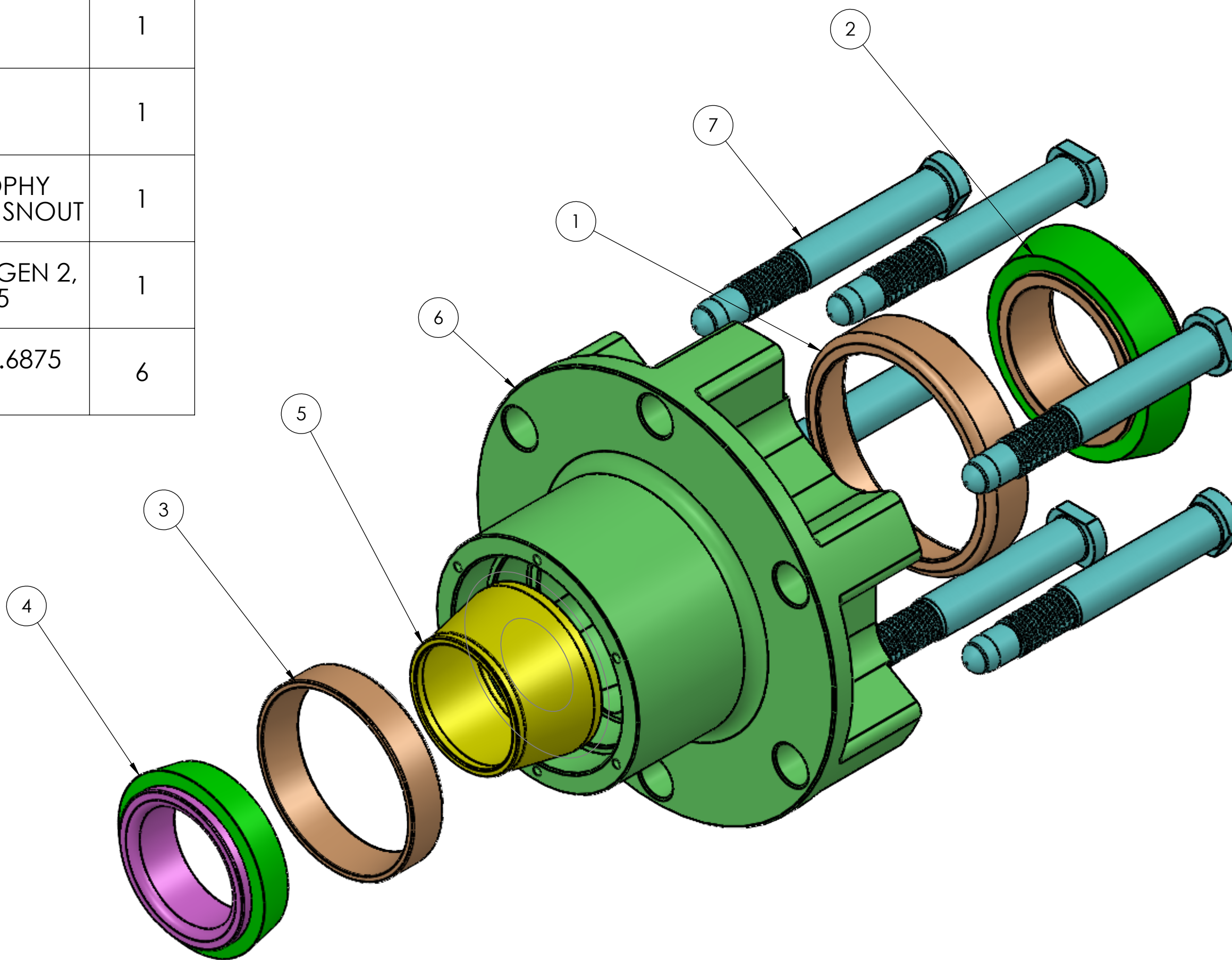
3

2

1

ITEM NO.	PART NUMBER	DESCRIPTION	QTY.
1	BEARING 28921	28921 BEARING CUP	1
2	BEARING 28985	28985 BEARING CONE	1
3	BEARING TIM104911	104911 BEARING CUP	1
4	BEARING TIM104949	104949 BEARING CONE	1
5	IDD 01-4104	CRUSH SLEEVE, ID GEN 2 TROPHY TRUCK HUB, 6 ON 6.5, 2.375/2.0 SNOUT	1
6	IDD 01-4201	FRONT HUB, ID TROPHY TRUCK GEN 2, 2.375/2.0 SNOUT, 6 ON 6.5	1
7	WHEEL STUD TT	WHEEL STUD, TROPHY TRUCK, .6875 SHANK, 5/8-18 THREAD	6

THIS BEARING SETUP IS USED WITH THE 2.375/2.00 ID SNOUT (IDD 01-5007)



DISCLAIMER OF WARRANTY AND LIMITATION OF LIABILITY

Due to the intended use of high performance products, ID Designs and each part thereof, are sold "AS IS" and with all faults. To the fullest extent allowed by law, ID Designs makes NO written, oral, expressed, or implied statement of warranty or guarantee on any product or part sold. ID Designs will not be liable for any direct, indirect, incidental, consequential, or special damages, including but not limited to, damage, injury, loss of life, loss of property or equipment, loss of profits or revenue, or claims from any individual or entity arising from the use of any ID Designs product.

RACING IS A DANGEROUS ACTIVITY AND PURCHASERS OF ID DESIGNS PRODUCTS ACKNOWLEDGE THE INHERENT RISKS ASSOCIATED. ID DESIGNS MAKES NO REPRESENTATIONS THAT ITS PRODUCTS CAN REDUCE OR ELIMINATE ANY SUCH RISK. ID DESIGNS products are NOT FOR STREET, HIGHWAY, OR AIRCRAFT USE and are intended ONLY for race vehicles operated on race tracks with appropriate supervision of qualified technicians or mechanics to ensure that the safety needs of the race driver and others are met. ID Designs products could be combined with other products or parts which may not be suitable and could adversely affect performance of other race parts or the vehicle. The user shall determine the ultimate suitability and safety of the product for its intended use, and the user assumes all responsibility and risk in connection therewith.

ID DESIGNS

43095 BLACK DEER LOOP  
 TEMECULA, CA 92590  
 PH.760.727.9900  
 E MAIL INFO@IDDESIGNS.NET

TITLE:  
 ID DESIGNS GEN 2 TT  
 FRONT HUB ASSEMBLY

PROPRIETARY AND CONFIDENTIAL  
 THE INFORMATION CONTAINED IN THIS DRAWING IS THE SOLE PROPERTY OF ID DESIGNS. ANY REPRODUCTION IN PART OR AS A WHOLE WITHOUT THE WRITTEN PERMISSION OF ID DESIGNS IS PROHIBITED.

SIZE	PART NO.	REV
C	IDD 01-4201-A	
SCALE: 1:2	WEIGHT:	SHEET 2 OF 3

4

3

2

1

4

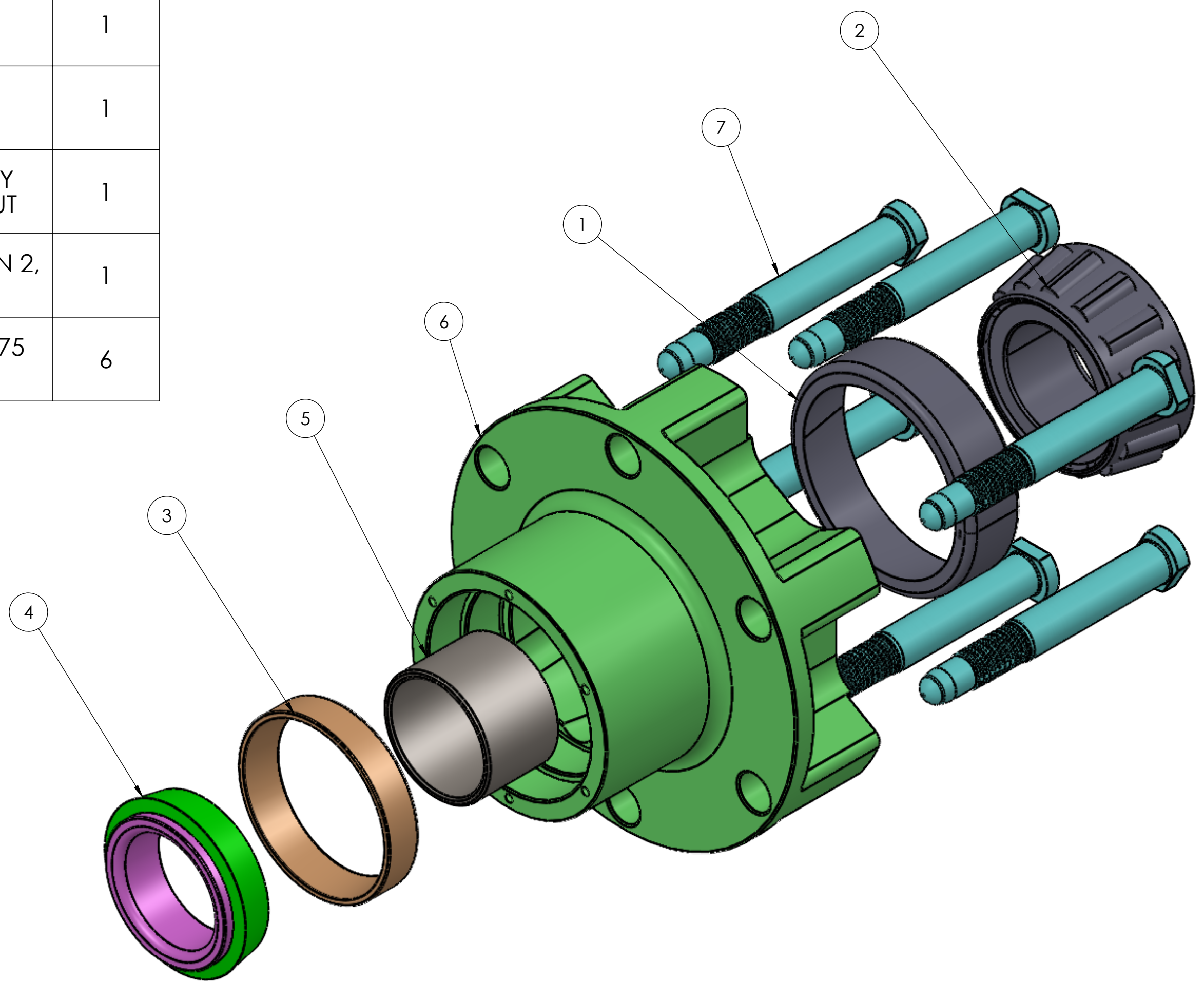
3

2

1

ITEM NO.	PART NUMBER	DESCRIPTION	QTY.
1	BEARING 520X	520X BEARING CUP	1
2	BEARING 529X	529X BEARING CONE	1
3	BEARING TIM104911	104911 BEARING CUP	1
4	BEARING TIM104949	104949 BEARING CONE	1
5	IDD 01-4004	CRUSH SLEEVE, ID GEN 2 TROPHY TRUCK HUB, 6 ON 6.5, 2.00 SNOUT	1
6	IDD 01-4201	FRONT HUB, ID TROPHY TRUCK GEN 2, 2.375/2.0 SNOUT, 6 ON 6.5	1
7	WHEEL STUD TT	WHEEL STUD, TROPHY TRUCK, .6875 SHANK, 5/8-18 THREAD	6

THIS BEARING SETUP IS USED WITH THE 2.00 ID SNOUT (IDD 01-5003)



DISCLAIMER OF WARRANTY AND LIMITATION OF LIABILITY

Due to the intended use of high performance products, ID Designs and each part thereof, are sold "AS IS" and with all faults. To the fullest extent allowed by law, ID Designs makes NO written, oral, expressed, or implied statement of warranty or guarantee on any product or part sold. ID Designs will not be liable for any direct, indirect, incidental, consequential, or special damages, including but not limited to, damage, injury, loss of life, loss of property or equipment, loss of profits or revenue, or claims from any individual or entity arising from the use of any ID Designs product.

RACING IS A DANGEROUS ACTIVITY AND PURCHASERS OF ID DESIGNS PRODUCTS ACKNOWLEDGE THE INHERENT RISKS ASSOCIATED. ID DESIGNS MAKES NO REPRESENTATIONS THAT ITS PRODUCTS CAN REDUCE OR ELIMINATE ANY SUCH RISK. ID DESIGNS products are NOT FOR STREET, HIGHWAY, OR AIRCRAFT USE and are intended ONLY for race vehicles operated on race tracks with appropriate supervision of qualified technicians or mechanics to ensure that the safety needs of the race driver and others are met. ID Designs products could be combined with other products or parts which may not be suitable and could adversely affect performance of other race parts or the vehicle. The user shall determine the ultimate suitability and safety of the product for its intended use, and the user assumes all responsibility and risk in connection therewith.

**ID DESIGNS**  
 43095 BLACK DEER LOOP  
 TEMECULA, CA 92590  
 PH.760.727.9900  
 E MAIL INFO@IDDESIGNS.NET

TITLE:  
**ID DESIGNS GEN 2 TT  
 FRONT HUB ASSEMBLY**

PROPRIETARY AND CONFIDENTIAL  
 THE INFORMATION CONTAINED IN THIS DRAWING IS THE SOLE PROPERTY OF ID DESIGNS. ANY REPRODUCTION IN PART OR AS A WHOLE WITHOUT THE WRITTEN PERMISSION OF ID DESIGNS IS PROHIBITED.

SIZE	PART NO.	REV
<b>C</b>	IDD 01-4201-A	
SCALE: 1:2	WEIGHT:	SHEET 3 OF 3

4

3

2

1