

4

3

2

1

D

D

C

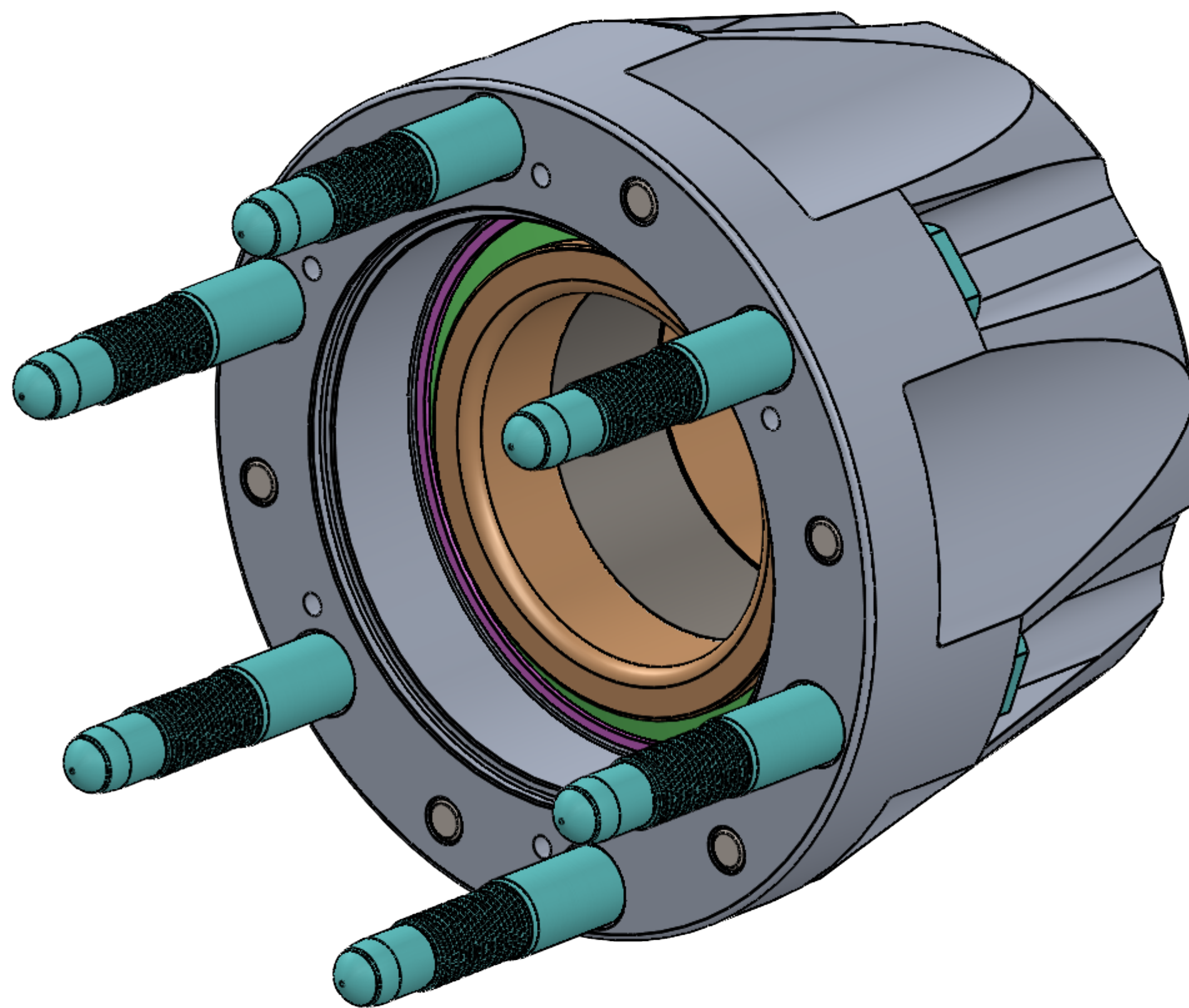
C

B

B

A

A



DISCLAIMER OF WARRANTY AND LIMITATION OF LIABILITY

Due to the intended use of high performance products, ID Designs and each part thereof, are sold "AS IS" and with all faults. To the fullest extent allowed by law, ID Designs makes NO written, oral, expressed, or implied statement of warranty or guarantee on any product or part sold. ID Designs will not be liable for any direct, indirect, incidental, consequential, or special damages, including but not limited to, damage, injury, loss of life, loss of property or equipment, loss of profits or revenue, or claims from any individual or entity arising from the use of any ID Designs product.

RACING IS A DANGEROUS ACTIVITY AND PURCHASERS OF ID DESIGNS PRODUCTS ACKNOWLEDGE THE INHERENT RISKS ASSOCIATED. ID DESIGNS MAKES NO REPRESENTATIONS THAT ITS PRODUCTS CAN REDUCE OR ELIMINATE ANY SUCH RISK. ID DESIGNS products are NOT FOR STREET, HIGHWAY, OR AIRCRAFT USE and are intended ONLY for race vehicles operated on race tracks with appropriate supervision of qualified technicians or mechanics to ensure that the safety needs of the race driver and others are met. ID Designs products could be combined with other products or parts which may not be suitable and could adversely affect performance of other race parts or the vehicle. The user shall determine the ultimate suitability and safety of the product for its intended use, and the user assumes all responsibility and risk in connection therewith.

PROPRIETARY AND CONFIDENTIAL
 THE INFORMATION CONTAINED IN THIS DRAWING IS THE SOLE PROPERTY OF ID DESIGNS. ANY REPRODUCTION IN PART OR AS A WHOLE WITHOUT THE WRITTEN PERMISSION OF ID DESIGNS IS PROHIBITED.

ID DESIGNS
 2485 CORAL ST. UNIT A
 VISTA, CA 92081
 PH.760.727.9900
 E MAIL INFO@IDDESIGNS.NET
 TITLE:
**ID DESIGNS TT REAR HUB
 ASSEMBLY**

SIZE	PART NO.	REV
C	IDD 02-4001-A	
SCALE: 1:2 WEIGHT:		SHEET 1 OF 2

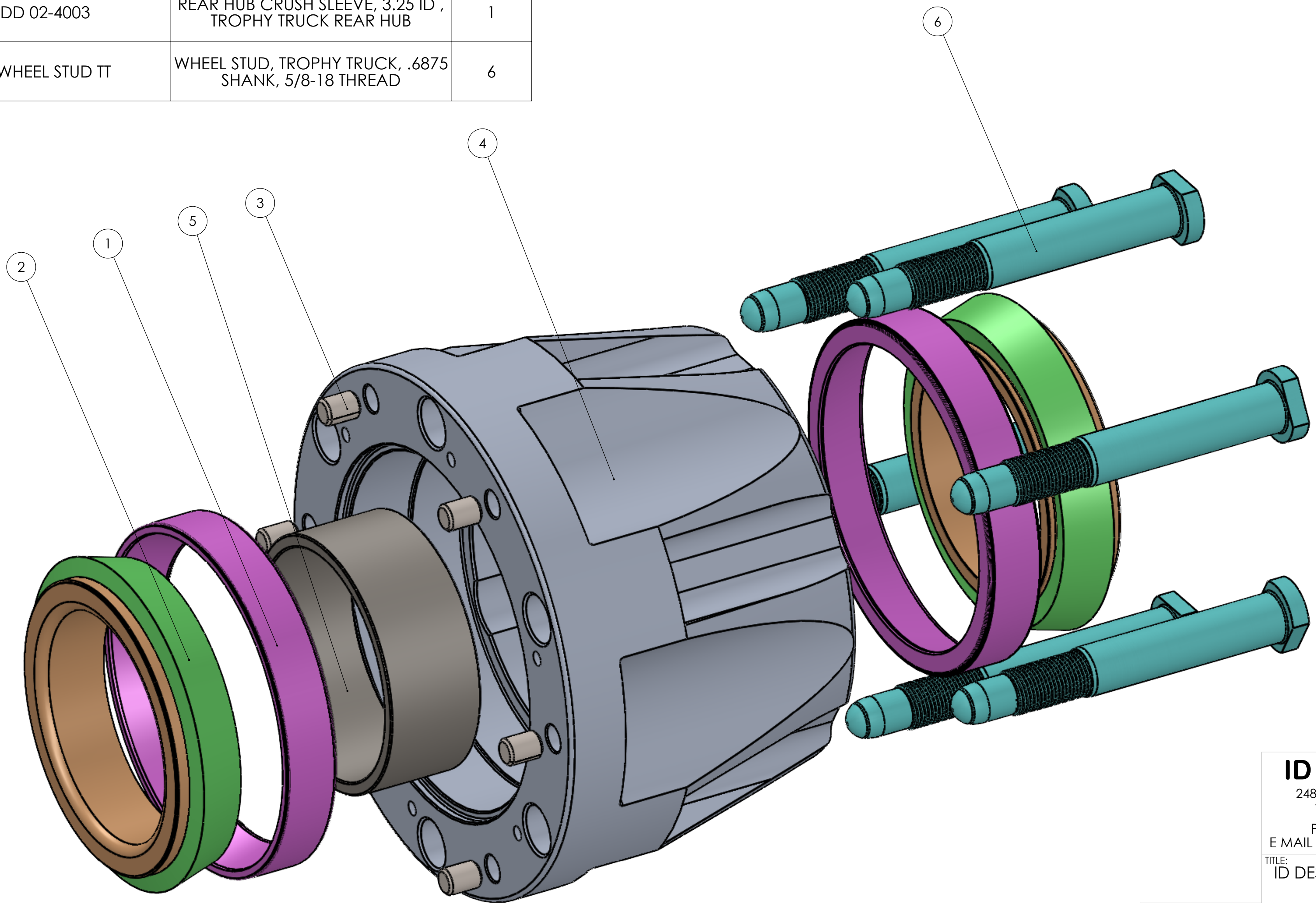
4

3

2

1

ITEM NO.	PART NUMBER	DESCRIPTION	QTY.
1	BEARING TIM27620	27620 BEARING CUP, REAR TT HUB	2
2	BEARING TIM27687	27687 BEARING CONE, 3.25 BORE. TT REAR HUB BEARING	2
3	HRD DP 06-08AS	.375 DIAM X .500 LG ALLOY STEEL DOWEL PIN	6
4	IDD 02-4001	REAR HUB, TROPHY TRUCK, 6 ON 6.5, 3.25 SNOUT	1
5	IDD 02-4003	REAR HUB CRUSH SLEEVE, 3.25 ID , TROPHY TRUCK REAR HUB	1
6	WHEEL STUD TT	WHEEL STUD, TROPHY TRUCK, .6875 SHANK, 5/8-18 THREAD	6



ID DESIGNS
 2485 CORAL ST. UNIT A
 VISTA, CA 92081
 PH.760.727.9900
 E MAIL INFO@IDDESIGNS.NET
 TITLE:
**ID DESIGNS TT REAR HUB
 ASSEMBLY**

PROPRIETARY AND CONFIDENTIAL
 THE INFORMATION CONTAINED IN THIS
 DRAWING IS THE SOLE PROPERTY OF
 ID DESIGNS. ANY REPRODUCTION IN
 PART OR AS A WHOLE WITHOUT THE
 WRITTEN PERMISSION OF ID DESIGNS
 IS PROHIBITED.

SIZE	PART NO.	REV
C	IDD 02-4001-A	
SCALE: 1:2	WEIGHT:	SHEET 2 OF 2